

A hot air balloon is shown from a low angle, floating upwards. The balloon's envelope is a mix of blue, orange, and red. Inside the balloon, a whole pie with a lattice crust is visible. On top of the pie sits a large, brilliant-cut diamond ring. The background is a plain white sky.

WE ARE MADE OF CONTRASTS

BradoContract

SIAMO FATTI DI CONTRASTI





DESIGN BLAST!

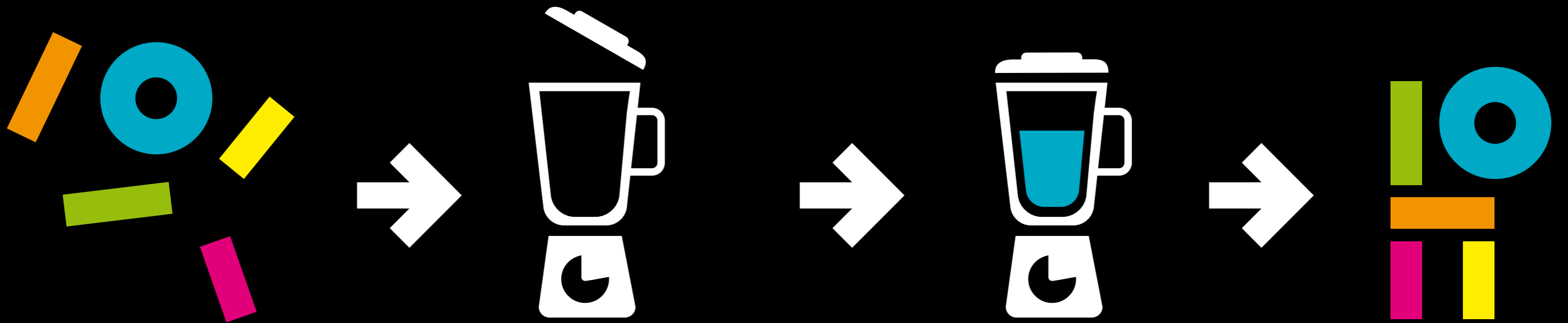


DESIGN BLAST!

BradoContract



IL MONDO DEL CONTRACT NON SARÀ MAI PIÙ LO STESSO



**TURNING
PIECES INTO
DESIGN
OBJECTS.**

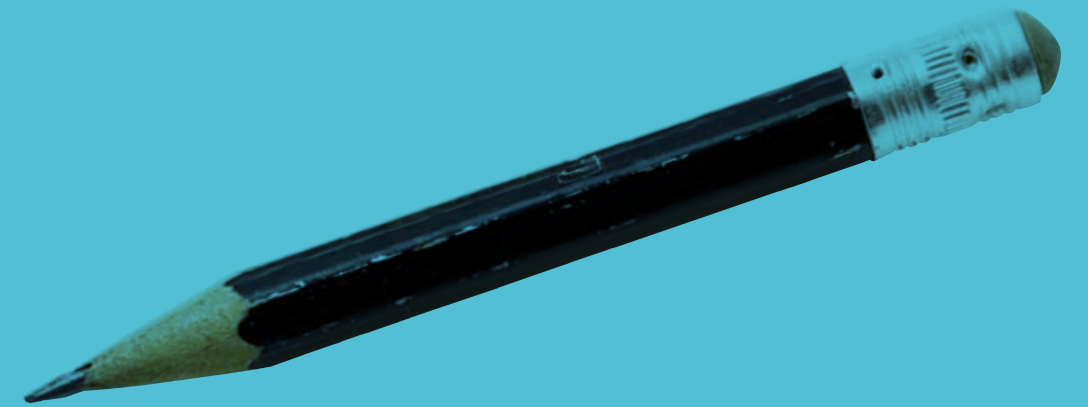


SEATING AGAINST THE IMMOBILITY OF THOUGHT.



SEDUTE CONTRO IL PENSIERO IMMOBILE.





**BREAK APART
THE CORE OF
BOREDOM!**

ROMPI IL NUCLEO DELLA NOIA!



SEDUTE POLIFONICHE PER IL VIBRANTE FERVORE DIURNO.

**POLYPHONIC
SEATING
FOR VIBRANT
DAYTIME
HEAT.**





**THE CONTRACT
WORLD
WILL NEVER
BE THE SAME**

IL MONDO DEL CONTRACT NON SARÀ MAI PIÙ LO STESSO

THE COLLECTION



NOTA BENE

Nelle diciture tecniche delle sedute i pallini con il simbolo •• rappresentano il codice colore del prodotto.

PLEASE NOTE

In the technical description of the chairs, the following dots •• indicate the color code of the product.

MORK



MORK

*“Mork, in una sola serata
sei riuscito a rovinarmi la vita”*

Mindy McConnell



design: Orlandini Design





MORK KIT 221/F

Scocca su base piramidale
in alluminio con piedini,
supporto basso, girevole 360°.

*Shell on pyramidal
aluminium base with glides,
low seat support, 360° swivel.*



MORK KIT 221/G

Scocca su base 4 razze piccola
in alluminio con piedini,
supporto alto, girevole 360°.

*Shell on 4 stars small
aluminium base with glides,
high seat support, 360°
swivel.*

MORK kit 221/A

Sedia in plastica 4 gambe / 4 legs plastic chair

- 01. 1x TLF141****
Telaio 4 gambe, senza piedini. 4 legs frame, without glides.
- 02. 4x PDY003ANR**
Piedino nero autolivellante. Black self-levelling glide.
- 03. 1x MSP054A****
Scocca. Shell.
- 04. 2x ACY287****
Clip posteriore per fissaggio scocca su telaio. Rear hook for shell fixing on frame.
- 05. 1x CFP010A****
Confezione bottone. Button kit.

Opzioni / Options

4x VTM0513BPCNR

Vite HILO testa Ø 10,5mm TB + DS 5x13mm, nera. HILO screw tip Ø 10,5 truss head 5x13mm, black.

1x ACP301**B

Carter sottoscocca per telaio 4 gambe. Outer seat cover for 4 legs frame.

4x PDT003

Feltro nero per piedino autolivellante. Black felt for self-levelling glide.

1x COL009A06

Pannello sedile in legno da tappezzare. Wooden seat panel to be upholstered.

6x VTM0514BPBFZ

Vite TBEI M5x14mm, zincata. Screw hex recess truss head M5x14mm, zinc-plated.

1x COP010A07

Pannello scocca in plastica da tappezzare. Plastic shell panel to be upholstered.

1x CFP010B**

Confezione bottone per scocca tappezzata. Button kit for upholstered shell.



Colori / Colours

- | | |
|-------------------------|-----------------------|
| EV
SANDY | ET
HORIZON |
| EU
MILKY | EW
SUNSPASH |
| EQ
PEPPERMINT | EN
VIOLET |
| E4
ROAD | EM
SNOWBALL |

Colori carter / Carter colours

- | | |
|---------------------|-------------------|
| GH
SILVER | E4
ROAD |
|---------------------|-------------------|

- | |
|-----------------------|
| EM
SNOWBALL |
|-----------------------|

Colori bottone / Button colours

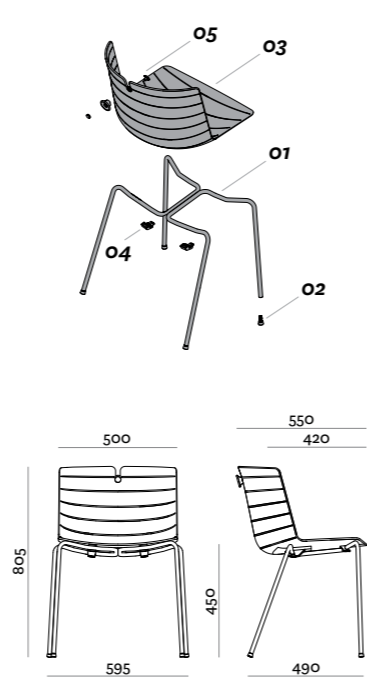
- | | |
|-------------------|--------------------|
| E4
ROAD | WN
CLOUD |
|-------------------|--------------------|

- | |
|-------------------------|
| GJ
BLAST BLUE |
|-------------------------|

Colori telaio / Frame colours

- | | |
|----------------------|-------------------|
| FC
CHROMED | E4
ROAD |
|----------------------|-------------------|

- | |
|--------------------|
| BC
WHITE |
|--------------------|



MORK kit 221/C

Sedia in plastica su slitta / Skid plastic chair

- 01. 1x TLF142****
Telaio a slitta. Skid frame.
- 02. 4x PDA001ANE**
Piedino neutro antirotazione per telaio a slitta. Neutral anti-rotation glide for skid frame.
- 03. 1x MSP054A****
Scocca. Shell.
- 04. 2x ACY287****
Clip posteriore per fissaggio scocca su telaio. Rear hook for shell fixing on frame.
- 05. 4x ACP286E4**
Riduzione per telaio a slitta. Spacer for skid frame.
- 06. 1x CFP010A****
Confezione bottone. Button kit.

Opzioni / Options

1x ACP301**A

Carter sottoscocca per telaio a slitta. Outer seat cover for skid frame.

4x VTM0513BPCNR

Vite HILO testa Ø10,5 TB+ DS 5x13mm, nera. HILO screw tip Ø10,5 truss head 5x13mm, black.

1x COL009A06

Pannello sedile in legno da tappezzare. Wooden seat panel to be upholstered.

6x VTM0514BPBFZ

Vite TBEI M5x14mm, zincata. Screw hex recess truss head M5x14mm, zinc-plated.

1x COP010A07

Pannello scocca in plastica da tappezzare. Plastic shell panel to be upholstered.

1x CFP010B**

Confezione bottone per scocca tappezzata. Button kit for upholstered shell.



Colori / Colours

- | | |
|-------------------------|-----------------------|
| EV
SANDY | ET
HORIZON |
| EU
MILKY | EW
SUNSPASH |
| EQ
PEPPERMINT | EN
VIOLET |
| E4
ROAD | EM
SNOWBALL |

Colori carter / Carter colours

- | | |
|---------------------|-------------------|
| GH
SILVER | E4
ROAD |
|---------------------|-------------------|

- | |
|-----------------------|
| EM
SNOWBALL |
|-----------------------|

Colori bottone / Button colours

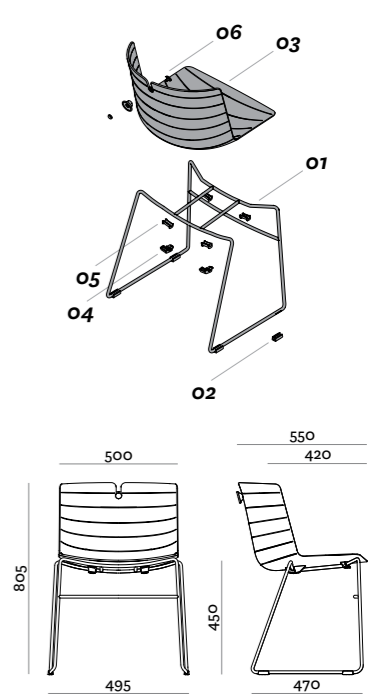
- | | |
|-------------------|--------------------|
| E4
ROAD | WN
CLOUD |
|-------------------|--------------------|

- | |
|-------------------------|
| GJ
BLAST BLUE |
|-------------------------|

Colori telaio / Frame colours

- | | |
|----------------------|-------------------|
| FC
CHROMED | E4
ROAD |
|----------------------|-------------------|

- | |
|--------------------|
| BC
WHITE |
|--------------------|



MORK kit 221/F

Sedia girevole in plastica su base piramidale / Swivel plastic chair on pyramidal base

01. 1x BAM07501AL

Base piramidale 4 razze, alluminio. 4 stars aluminium pyramidal base.

02. 4x PDY006AGH

Piedino grigio. Grey glide.

03. 1x ACM267FZB

Adattatore girevole 360° per base piramidale (con una spina). 360° swivel adaptor for pyramidal base (with one plug).

04. 1x ACY299GH

Tappo sottobase grigio per adattatore fisso e girevole. Swivel and fixed adaptor lower cap, grey.

05. 1x PSM14013AL

Supporto in alluminio basso con agganci automatici. Aluminium low seat support with automatic hooks.

06. 1x MSP054A**

Scocca. Shell.

07. 2x ACY287**

Clip posteriore per fissaggio scocca su telaio. Rear hook for shell fixing on frame.

08. 1x CFP010A**

Confezione bottone. Button kit.

09. 1x VTM0620PSBFB

Vite TPSEI M6x20mm per ACY299GH, brunita. Screw bevelled hex recess flat head M6x20mm for ACY299GH, bronzed.

Opzioni / Options

1x COLO09A06

Pannello sedile in legno da tappezzare. Wooden seat panel to be upholstered.

6x VTM0514BPBFZ

Vite TBEI M5x14mm, zincata. Screw hex recess truss head M5x14mm, zinc-plated.

1x COP010A07

Pannello scocca in plastica da tappezzare. Plastic shell panel to be upholstered.

1x CFP010B**

Confezione bottone per scocca tappezzata. Button kit for upholstered shell.

4x PDT006

Feltro nero. Black felt.

1x ACM267FZA

Adattatore autoallineante per base piramidale. Auto-return adaptor for pyramidal base.

1x ACY268GH

Cuffia sottobase grigia per adattatore autoallineante. Cover for auto-return adaptor, grey.

1x VTM0610PSBFZ

Vite TPSEI M6x10mm per ACY268GH, zincata. Screw bevelled hex recess flat head M6x10mm for ACY268GH, zinc-plated.

1x ACM267FZC

Adattatore fisso per base piramidale (con 1+2 spine). Fixed adaptor for pyramidal base (with 1+2 plugs).



Colori / Colours

EV SANDY

ET HORIZON

EU MILKY

EW SUNSPLASH

EQ PEPPERMINT

EN VIOLET

E4 ROAD

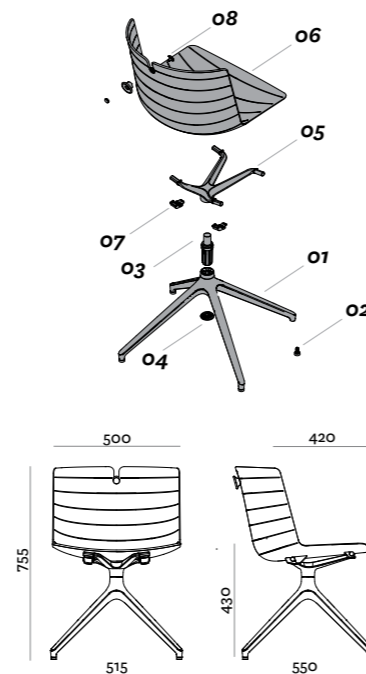
EM SNOWBALL

Colori bottone / Button colours

E4 ROAD

WN CLOUD

GJ BLAST BLUE



MORK

Varianti / Variants



MORK KIT 221/G

Scocca su base 4 razze piccola in alluminio c/piedini, supporto alto, girevole 360°. Shell on 4 stars small aluminium base w/glides, high seat support, 360° swivel.



MORK KIT 221/H

Scocca su base 5 razze piccola in alluminio c/ruote, supporto c/leva per alzata a gas, girevole 360°. Shell on 5 stars small aluminium base w/castors, high seat support w/lever for gas lift, 360° swivel.

MORK

Colori / Colours



EV
SANDY



E4
ROAD



EN
VIOLET



EU
MILKY



ET
HORIZON



EM
SNOWBALL



EQ
PEPPERMINT



EW
SUNSPASH

MORK

Colori carter / Carter colours



GH
SILVER



EM
SNOWBALL



E4
ROAD

MORK

Colori telaio / Frame colours



FC
CHROMED



BC
WHITE



E4
ROAD

MORK

Colori bottone / Button colours



E4
ROAD



GJ
BLAST BLUE



WN
CLOUD

MINDY



MINDY

*“Grazie, **Mindy**, tu mi hai fatto
un poco più umano”*

Mork



design: Orlandini Design



MINDY KIT 222/F
Scocca su base piramidale
in alluminio con piedini,
supporto basso, girevole 360°.
*Shell on pyramidal
aluminium base with glides,
low seat support, 360°
swivel.*



MINDY kit 222/C
Scocca su telaio slitta.
Shell on skid frame.

MINDY kit 222/A

Sedia in plastica 4 gambe / 4 legs plastic chair

- 01. 1x TLF143****
Telaio 4 gambe, senza piedini. 4 legs frame, without glides.
- 02. 4x PDY003ANR**
Piedino nero autolivellante. Black self-levelling glide.
- 03. 1x MSP055A****
Scocca. Shell.
- 04. 2x ACY287****
Clip posteriore per fissaggio scocca su telaio. Rear hook for shell fixing on frame.
- 05. 1x CFP010A****
Confezione bottone. Button kit.

Opzioni / Options

4x VTM0513BPCNR

Vite HILO testa Ø 10,5mm TB+ DS 5x13mm, nera. HILO screw tip Ø 10,5 truss head 5x13mm, black.

1x ACP301**B

Carter sottoscocca per telaio 4 gambe. Outer seat cover for 4 legs frame.

4x PDT003

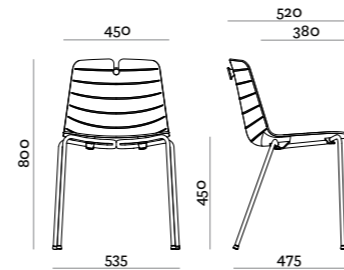
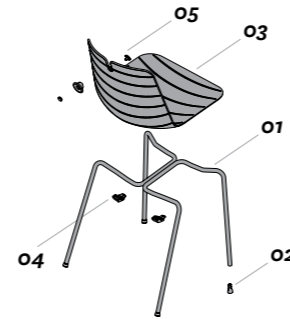
Feltro nero per piedino autolivellante. Black felt for self-levelling glide.

1x COLO11A06

Pannello sedile in legno da tappezzare. Wooden seat panel to be upholstered.

6x VTM0514BPBFZ

Vite TBEI M5x14mm, zincata. Screw hex recess truss head M5x14mm, zinc-plated.



Colori / Colours

- | | |
|-------------------------|-----------------------|
| EV
SANDY | ET
HORIZON |
| EU
MILKY | EW
SUNSPASH |
| EQ
PEPPERMINT | EN
VIOLET |
| E4
ROAD | EM
SNOWBALL |

Colori carter / Carter colours

- | | |
|-----------------------|-------------------|
| GH
SILVER | E4
ROAD |
| EM
SNOWBALL | |

Colori bottone / Button colours

- | | |
|-------------------------|--------------------|
| E4
ROAD | WN
CLOUD |
| GJ
BLAST BLUE | |

Colori telaio / Frame colours

- | | |
|----------------------|-------------------|
| FC
CHROMED | E4
ROAD |
| BC
WHITE | |

MINDY kit 222/C

Sedia in plastica su slitta / Skid plastic chair

- 01. 1x TLF144****
Telaio a slitta. Skid frame.
- 02. 4x PDA001ANE**
Piedino neutro antirotazione per telaio a slitta. Neutral anti-rotation glide for skid frame.
- 03. 1x MSP055A****
Scocca. Shell.
- 04. 2x ACY287****
Clip posteriore per fissaggio scocca su telaio. Rear hook for shell fixing on frame.
- 05. 4x ACP286E4**
Riduzione per telaio a slitta. Spacer for skid frame.
- 06. 1x CFP010A****
Confezione bottone. Button kit.

Opzioni / Options

4x VTM0513BPCNR

Vite HILO testa Ø 10,5mm TB+ DS 5x13mm, nera. HILO screw tip Ø 10,5 truss head 5x13mm, black.

1x ACP301**A

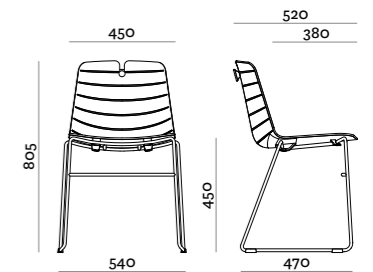
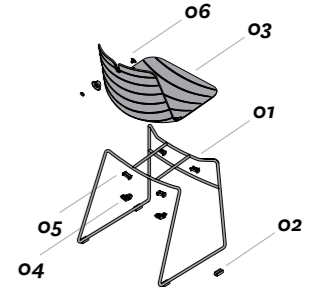
Carter sottoscocca per telaio a slitta. Outer seat cover for skid frame.

1x COLO11A06

Pannello sedile in legno da tappezzare. Wooden seat panel to be upholstered.

6x VTM0514BPBFZ

Vite TBEI M5x14mm, zincata. Screw hex recess truss head M5x14mm, zinc-plated.



Colori / Colours

- | | |
|-------------------------|-----------------------|
| EV
SANDY | ET
HORIZON |
| EU
MILKY | EW
SUNSPASH |
| EQ
PEPPERMINT | EN
VIOLET |
| E4
ROAD | EM
SNOWBALL |

Colori carter / Carter colours

- | | |
|---------------------|-----------------------|
| E4
ROAD | EM
SNOWBALL |
| GH
SILVER | |

Colori bottone / Button colours

- | | |
|-------------------------|--------------------|
| E4
ROAD | WN
CLOUD |
| GJ
BLAST BLUE | |

Colori telaio / Frame colours

- | | |
|----------------------|-------------------|
| FC
CHROMED | E4
ROAD |
| BC
WHITE | |

MINDY kit 222/G

Sedia girevole in plastica / Swivel plastic chair

01. 1x BAM07601AL

Base piana 4 razze piccola alluminio.
4 stars small aluminium base.

02. 4x PDY006AGH

Piedino grigio. Grey glide.

03. 1x ACM312FC

Colonna cromata girevole 360° media. Chromed
360° swivel medium column.

04. 1x PSM14113AL

Supporto in alluminio alto con agganci automatici.
Aluminium high seat support with automatic hooks.

05. 1x MSP055A••

Scocca. Shell.

06. 2x ACY287••

Clip posteriore per fissaggio scocca su telaio.
Rear hook for shell fixing on frame.

07. 1x CFP010A••

Confezione bottone. Button kit.

Opzioni / Options

1x COL011A06

Pannello sedile in legno da tappezzare. Wooden
seat panel to be upholstered.

6x VTM0514BPBFZ

Vite TBEI M5x14mm, zincata. Screw hex recess
truss head M5x14mm, zinc-plated.

4x PDT006

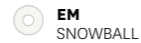
Feltro nero. Black felt.

1x ACM313FC

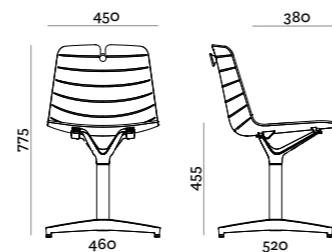
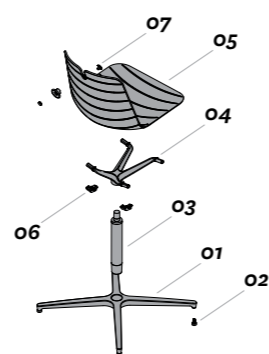
Colonna cromata media girevole autoallineante.
Chromed auto-return medium swivel column.



Colori / Colours



Colori bottone / Button colours



MINDY

Varianti / Variants



MINDY KIT 222/F

Scocca su base piramidale
in alluminio c/piedini,
supporto basso, girevole
360°. Shell on pyramidal
aluminium base w/glides,
low seat support,
360° swivel.



MINDY KIT 222/H

Scocca su base 5 razze
piccola in alluminio c/ruote,
supporto c/leva per alzata
a gas, girevole 360°.
Shell on 5 stars small
aluminium base w/casters,
high seat support w/lever
for gas lift, 360° swivel.

MINDY

Colori / Colours



EV
SANDY



E4
ROAD



EN
VIOLET



EU
MILKY



ET
HORIZON



EM
SNOWBALL



EQ
PEPPERMINT



EW
SUNSPASH

MINDY

Colori carter / Carter colours



GH
SILVER



EM
SNOWBALL



E4
ROAD

MINDY

Colori telaio / Frame colours



FC
CHROMED



BC
WHITE



E4
ROAD

MINDY

Colori bottone / Button colours



E4
ROAD



GJ
BLAST BLUE



WN
CLOUD

LOOLA





LOOLA

“Be-bop-a-*loola* she’s my baby”

Gene Vincent



design: Scagnellato / Ferrarese

LOOLA kit 219/A

Sedia in plastica 4 gambe / 4 legs plastic chair

01. 1x TLF140**
Telaio 4 gambe. 4 legs frame.

02. 4x PDY010ANR
Piedino nero autolivellante. Black self-levelling glide.

03. 1x SDP190AN1**
Sedile. Seat.

04. 1x SSP391A**
Sottosedile. Outer seat.

05. 1x SCP534A**
Copriscienale. Outer back.

06. 1x SHP286AN1**
Schienale. Inner backrest.

07. 1x ACP899**
Carter anteriore schienale. Front cover for backrest.

08. 9x VTM0512BPXFB
Vite HILO s/punta testa Ø 10,5mm TB + DS 5x12mm, brunita. HILO screw tip Ø 10,5mm truss head 5x12mm, bronzed.

Opzioni / Options

4x PDT003
Feltro nero per piedino autolivellante. Black felt for self-levelling glide.



Colori sedile-schienale / Seat-backrest colours

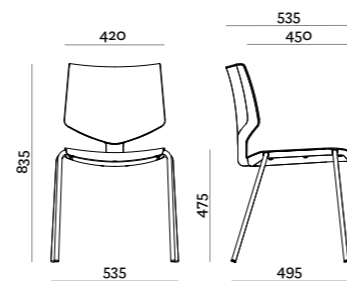
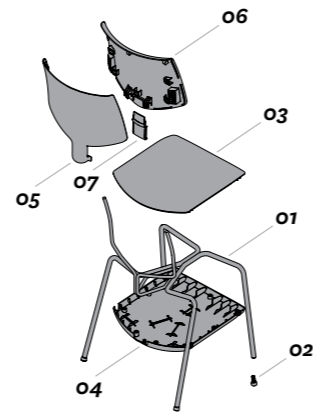
- | | |
|--------------------------|-------------------------|
| E6
WATER GREEN | EJ
ICESURF |
| E4
ROAD | EL
CITRIC |
| E9
MOUSTARD | EN
VIOLET |
| EH
STRATOS | EP
PEACH |
| ER
PACIFIC | ES
GREENAPPLE |

Colori telaio / Frame colours

- | | |
|--------------------|----------------------|
| BC
WHITE | FC
CHROMED |
|--------------------|----------------------|

Colori sottosedile-copriscienale-carter / Seat outer-backrest outer-carter colours

- | | |
|-----------------------|--------------------|
| EM
SNOWBALL | EU
MILKY |
| EV
SANDY | |



LOOLA

Colori sedile-schienale / Seat-backrest colours



E6
WATERGREEN



ER
PACIFIC



EN
VIOLET



E4
ROAD



EJ
ICESURF



EP
PEACH



E9
MOUSTARD



EL
CITRIC



ES
GREENAPPLE



EH
STRATOS



FRILL



FRILL

*“I don’t need no city women
with their diamonds and **frills**”*

Elvis Presley



design: Cappellin



FRILL KIT 224/C

Scocca con braccioli su telaio
slitta.

*Shell with armrests on skid
frame.*



FRILL KIT 224/F

Scocca su base piramidale
in alluminio con piedini,
supporto basso, girevole 360°.

*Shell on pyramidal
aluminium base with glides,
low seat support, 360° swivel.*

FRILL kit 224/A

Sedia in plastica 4 gambe con braccioli / 4 legs plastic chair with armrests

- 01. 1x TLF136****
Telaio 4 gambe senza piedini. 4 legs frame without glides.
- 02. 4x PDY003ANR**
Piedino nero autolivellante. Black self-levelling glide.
- 03. 1x MSP050A****
Scocca. Shell.
- 04. 2x ACY287****
Clip posteriore per fissaggio scocca su telaio. Rear hook for shell fixing on frame.

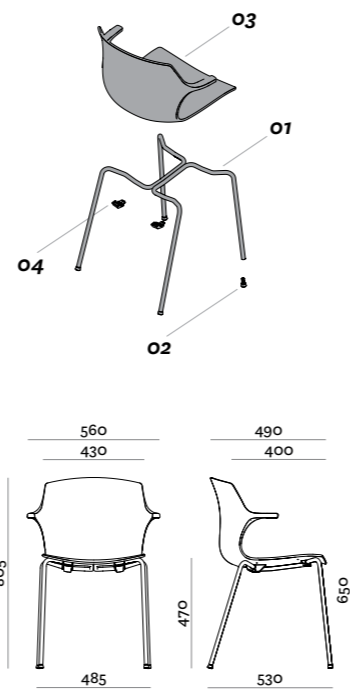
Opzioni / Options

- 1x ACP428**B**
Carter sottoscocca per telaio 4 gambe. Outer seat cover for 4 legs frame.
- 4x VTM0513BPCNR**
Vite HILO testa Ø 10,5mm TB + DS 5x13mm, nera. HILO screw tip Ø 10,5 truss head 5x13mm, black.
- 4x PDT003**
Feltro nero per piedino autolivellante. Black felt for self-levelling glide.
- 1x COL008A06**
Pannello sedile in legno da tappezzare. Wooden seat panel to be upholstered.
- 6x VTM0514BPBFZ**
Vite TBEI M5x14mm, zincata. Screw hex recess truss head M5x14mm, zinc-plated.



Colori / Colours

- | | |
|----------------|----------------|
| EJ
ICESURF | EZ
GREYBLUE |
| EW
SUNSPASH | EM
SNOWBALL |
| EL
CITRIC | EV
SANDY |
| E4
ROAD | |
- Colori carter / Carter colours**
- | | |
|----------------|------------|
| GH
SILVER | E4
ROAD |
| EM
SNOWBALL | |
- Colori telaio / Frame colours**
- | | |
|---------------|------------|
| FC
CHROMED | E4
ROAD |
| BC
WHITE | |



FRILL kit 224/G

Sedia girevole in plastica con braccioli / Swivel plastic chair with armrests

- 01. 1x BAM07601AL**
Base piana 4 razze, alluminio. 4 stars aluminium flat base.
- 02. 4x PDY006AGH**
Piedino grigio. Grey glide.
- 03. 1x ACM312FC**
Colonna cromata girevole 360° media. Chromed 360° swivel medium column.
- 04. 1x PSM14113AL**
Supporto in alluminio alto con agganci automatici. Aluminium high seat support with automatic hooks.
- 05. 1x MSP050A****
Scocca. Shell.
- 06. 2x ACY287****
Clip posteriore per fissaggio scocca su telaio. Rear hook for shell fixing on frame.

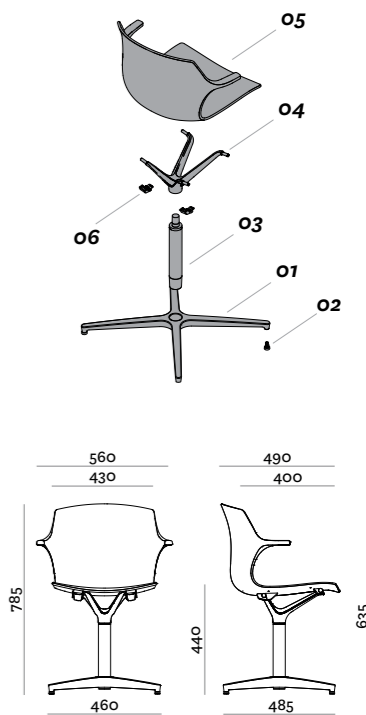
Opzioni / Options

- 1x COL008A06**
Pannello sedile in legno da tappezzare. Wooden seat panel to be upholstered.
- 6x VTM0514BPBFZ**
Vite TBEI M5x14mm, zincata. Screw hex recess truss head M5x14mm, zinc-plated.
- 4x PDT006**
Feltro nero. Black felt.
- 1x ACM313FC**
Colonna cromata media girevole autoallineante. Chromed auto-return medium swivel column.



Colori / Colours

- | | |
|----------------|----------------|
| EJ
ICESURF | EZ
GREYBLUE |
| EW
SUNSPASH | EM
SNOWBALL |
| EL
CITRIC | EV
SANDY |
| E4
ROAD | |



FRILL kit 224/C

Sedia in plastica su slitta con braccioli / Skid plastic chair with armrests

- 01. 1x TLF135****
Telaio a slitta. Skid frame.
- 02. 4x PDA001ANE**
Piedino neutro antirotazione per telaio a slitta. Neutral anti-rotation glide for skid frame.
- 03. 1x MSP050A****
Scocca. Shell.
- 04. 2x ACY287****
Clip posteriore per fissaggio scocca su telaio. Rear hook for shell fixing on frame.
- 05. 4x ACP286E4**
Riduzione per telaio filo. Spacer for skid frame.

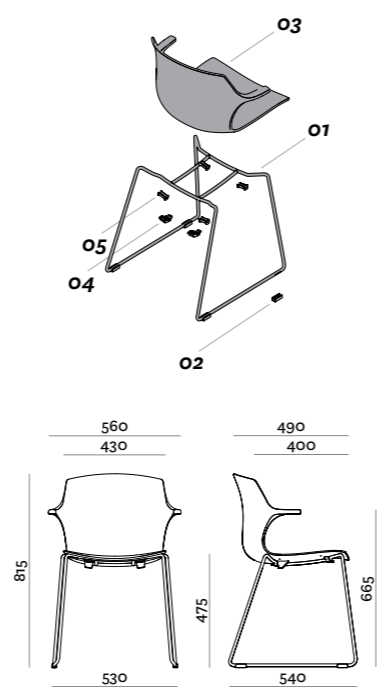
Opzioni / Options

- 1x ACP428**A**
Carter sottoscocca per telaio a slitta. Outer seat cover for skid frame.
- 4x VTM0513BPCNR**
Vite HILO testa Ø 10,5mm TB + DS 5x13mm, nera. HILO screw tip Ø 10,5 truss head 5x13mm, black.
- 1x COL008A06**
Pannello sedile in legno da tappezzare. Wooden seat panel to be upholstered.
- 6x VTM0514BPBFZ**
Vite TBEI M5x14mm, zincata. Screw hex recess truss head M5x14mm, zinc-plated.



Colori / Colours

- | | |
|----------------|----------------|
| EJ
ICESURF | EZ
GREYBLUE |
| EW
SUNSPASH | EM
SNOWBALL |
| EL
CITRIC | EV
SANDY |
| E4
ROAD | |
- Colori carter / Carter colours**
- | | |
|----------------|------------|
| GH
SILVER | E4
ROAD |
| EM
SNOWBALL | |
- Colori telaio / Frame colours**
- | | |
|---------------|------------|
| FC
CHROMED | E4
ROAD |
| BC
WHITE | |



FRILL

Varianti / Variants



FRILL KIT 224/F
Scocca su base piramidale in alluminio c/piedini, supporto basso, girevole 360°. Shell on pyramidal aluminium base w/glides, low seat support, 360° swivel.



FRILL KIT 224/H
Scocca su base 5 razze piccola in alluminio c/ruote, supporto c/leva per alzata a gas, girevole 360°. Shell on 5 stars small aluminium base w/castors, high seat support w/lever for gas lift, 360° swivel.

FRILL

Colori / Colours



EJ
ICESURF



E4
ROAD



EM
SNOWBALL



EW
SUNSPASH



EZ
GREYBLUE



EV
SANDY



EL
CITRIC

FRILL

Colori Carter / Carter colours



GH
SILVER



EM
SNOWBALL



E4
ROAD

FRILL

Colori telaio / Frame colours



FC
CHROMED



BC
WHITE



E4
ROAD

NO-FRILL





NO-FRILL

*“The **no-frills**, no-bull
Gran Torino made my day”*

Clint Eastwood



design: Cappellin

NO-FRILL KIT 223/B
Scocca su telaio 4 gambe
con braccioli chiusi.
*Shell on 4 legs frame with
loop armrests.*



NO-FRILL KIT 223/C
Scocca su telaio slitta.
Shell on skid frame.



NO-FRILL kit 223/B

Sedia in plastica 4 gambe con braccioli chiusi / 4 legs plastic chair with loop armrests

- 01. 1x TLF137****
Telaio 4 gambe con braccioli chiusi, senza piedini.
4 legs frame with loop armrests, without glides.
- 02. 4x PDY003ANR**
Piedino nero autolivellante. Black self-levelling glide.
- 03. 1x MSP049A****
Scocca. Shell.
- 04. 2x ACY287****
Clip posteriore per fissaggio scocca su telaio.
Rear hook for shell fixing on frame.

Opzioni / Options

- 1x ACP428**B**
Carter sottoscocca per telaio 4 gambe. Outer seat cover for 4 legs frame.
- 4x VTM0513BPCNR**
Vite HILO testa Ø 10,5mm TB+ DS 5x13mm, nera.
HILO screw tip Ø 10,5 truss head 5x13mm, black.
- 4x PDT003**
Feltro nero per piedino autolivellante. Black felt for self-levelling glide.
- 1x COL008A06**
Pannello sedile in legno da tappezzare. Wooden seat panel to be upholstered.
- 6x VTM0514BPBFZ**
Vite TBEI M5x14mm, zincata. Screw hex recess truss head M5x14mm, zinc-plated.



Colori / Colours

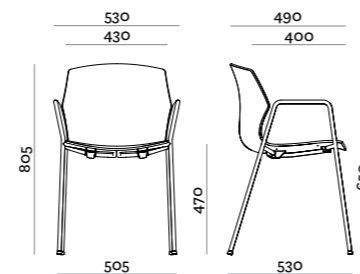
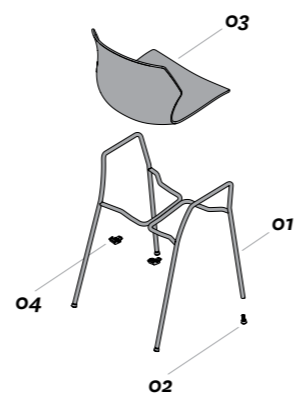
- | | |
|----------------|----------------|
| EJ
ICESURF | EZ
GREYBLUE |
| EW
SUNSPASH | EM
SNOWBALL |
| EL
CITRIC | EV
SANDY |
| E4
ROAD | |

Colori carter / Carter colours

- | | |
|----------------|------------|
| GH
SILVER | E4
ROAD |
| EM
SNOWBALL | |

Colori telaio / Frame colours

- | | |
|---------------|------------|
| FC
CHROMED | E4
ROAD |
| BC
WHITE | |



NO-FRILL kit 223/G

Sedia girevole in plastica / Swivel plastic chair

- 01. 1x BAM07601AL**
Base piana 4 razze, alluminio. 4 stars aluminium flat base.
- 02. 4x PDY006AGH**
Piedino grigio. Grey glide.
- 03. 1x ACM312FC**
Colonna cromata girevole 360° media.
Chromed 360° swivel medium column.
- 04. 1x PSM14113AL**
Supporto in alluminio alto con agganci automatici.
Aluminium high seat support with automatic hooks.
- 05. 1x MSP049A****
Scocca. Shell.
- 06. 2x ACY287****
Clip posteriore per fissaggio scocca su telaio.
Rear hook for shell fixing on frame.

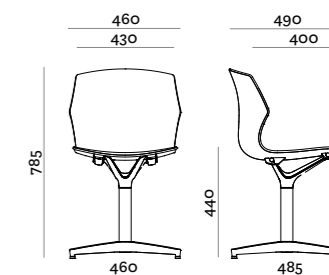
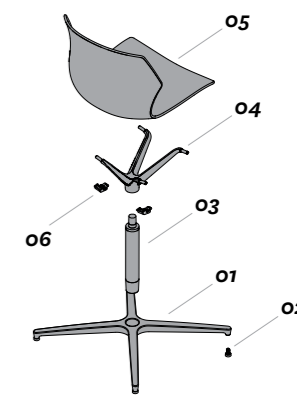
Opzioni / Options

- 1x COL008A06**
Pannello sedile in legno da tappezzare. Wooden seat panel to be upholstered.
- 6x VTM0514BPBFZ**
Vite TBEI M5x14mm, zincata. Screw hex recess truss head M5x14mm, zinc-plated.
- 4x PDT006**
Feltro nero. Black glide.
- 1x ACM313FC**
Colonna cromata media girevole autoallineante.
Chromed auto-return swivel medium column.



Colori / Colours

- | | |
|----------------|----------------|
| EJ
ICESURF | EZ
GREYBLUE |
| EW
SUNSPASH | EM
SNOWBALL |
| EL
CITRIC | EV
SANDY |
| E4
ROAD | |



NO-FRILL kit 223/C

Sedia in plastica su slitta / Skid plastic chair

- 01. 1x TLF135****
Telaio a slitta. Skid frame.
- 02. 4x PDA001ANE**
Piedino neutro antirotazione per telaio a slitta.
Neutral anti-rotation glide for skid frame.
- 03. 1x MSPP049A****
Scocca. Shell.
- 04. 2x ACY287****
Clip posteriore per fissaggio scocca su telaio.
Rear hook for shell fixing on frame.
- 05. 4x ACP286E4**
Riduzione per telaio a slitta. Spacer for skid frame.

Opzioni / Options

- 1x ACP428**A**
Carter sottoscocca per telaio a slitta. Outer seat cover for skid frame.
- 4x VTM0513BPCNR**
Vite HILO testa Ø 10,5mm TB + DS 5x13mm, nera.
HILO screw tip Ø 10,5 truss head 5x13mm, black.
- 1x COL008A06**
Pannello sedile in legno da tappezzare. Wooden seat panel to be upholstered.
- 6x VTM0514BPBFZ**
Vite TBEI M5x14mm, zincata. Screw hex recess truss head M5x14mm, zinc-plated.



Colori / Colours

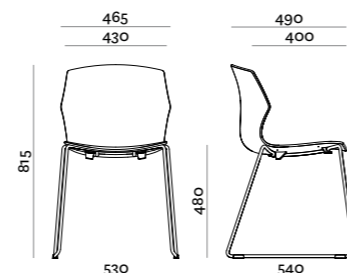
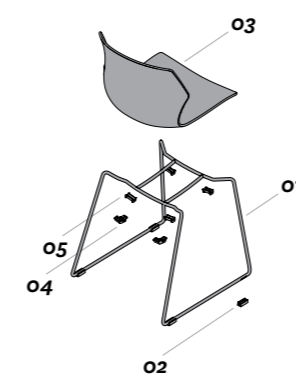
- | | |
|----------------|----------------|
| EJ
ICESURF | EZ
GREYBLUE |
| EW
SUNSPASH | EM
SNOWBALL |
| EL
CITRIC | EV
SANDY |
| E4
ROAD | |

Colori carter / Carter colours

- | | |
|----------------|------------|
| GH
SILVER | E4
ROAD |
| EM
SNOWBALL | |

Colori telaio / Frame colours

- | | |
|---------------|------------|
| FC
CHROMED | E4
ROAD |
| BC
WHITE | |



NO-FRILL

Varianti / Variants



NO-FRILL KIT 223/A
Scocca su telaio 4 gambe.
Shell on 4 legs frame.



NO-FRILL KIT 223/F
Scocca su base piramidale in alluminio c/piedini, supporto basso, girevole 360°. Shell on pyramidal aluminium base w/glides, low seat support, 360° swivel.



NO-FRILL KIT 223/H
Scocca su base 5 razze piccola in alluminio c/ruote, supporto c/leva per alzata a gas, girevole 360°. Shell on 5 stars small aluminium base w/castors, high seat support w/lever for gas lift, 360° swivel.

NO-FRILL

Colori / Colours



EJ
ICESURF



E4
ROAD



EM
SNOWBALL



EW
SUNSPASH



EZ
GREYBLUE



EV
SANDY



EL
CITRIC

NO-FRILL

Colori carter / Carter colours



GH
SILVER



EM
SNOWBALL



E4
ROAD

NO-FRILL

Colori telaio / Frame colours



FC
CHROMED



BC
WHITE



E4
ROAD

OLÉ





OLÉ

*“We got heart when we play,
take you on anyday. **olé!**”*

The Bouncing Souls



design: Ximo Roca Diseño



OLÉ KIT 207/E
Scocca su base piramidale
in alluminio con piedini,
girevole 360°.
*Shell on pyramidal
aluminium base with glides,
360° swivel.*

OLÉ KIT 206/C
Scocca su telaio slitta cromato.
Shell on skid chromed frame.



OLÉ kit 205/C

Sedia in plastica 4 gambe / 4 legs plastic chair

- 01. 1x TLF130****
Telaio 4 gambe, senza piedini. 4 legs frame, without glides.
- 02. 4x PDY003ANR**
Piedino nero autolivellante. Black self-levelling glide.
- 03. 1x MSW046A****
Scocca. Shell.
- 04. 1x ACW247**A**
Carter sottosedile telaio 4 gambe. Outer seat cover, 4 legs.

Opzioni / Options

- 4x PDT003**
Feltro nero per piedino autolivellante. Black felt for self-levelling glide.
- 1x COL007A06**
Pannello sedile in legno da tappezzare. Wooden seat panel to be upholstered.
- 6x VTM0514BPBFZ**
Vite TBE1 M5x14mm, zincata. Screw hex recess truss head M5x14mm, zinc-plated.



Colori / Colours

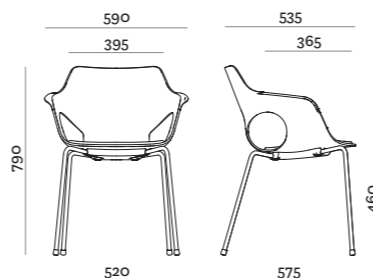
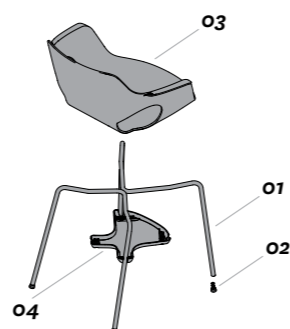
- | | |
|----------------|--------------|
| WN CLOUD | E7 CREAM |
| E4 ROAD | E8 CORAL BAY |
| E5 VALENCIA | E9 MUSTARD |
| E6 WATER GREEN | |

Colori carter / Carter colours

- | | |
|----------|---------|
| E7 CREAM | E4 ROAD |
| WN CLOUD | |

Colori telaio / Frame colours

- | | |
|------------|---------|
| FC CHROMED | E4 ROAD |
| BC WHITE | |



OLÉ kit 207/F

Sedia girevole in plastica su base 4 razze / Swivel plastic chair on 4 stars base

- 01. 1x BAM07601AL**
Base piana 4 razze alluminio. 4 stars aluminium flat base.
- 02. 4x PDY006AGH**
Piedino grigio. Grey glide.
- 03. 1x ACM279FC**
Colonna cromata girevole 360° alta. Chromed 360° swivel high column.
- 04. 1x PSM032DUAL**
Supporto DUAL, alluminio lucidato. DUAL support, polished aluminium.
- 05. 1x TLF132NR**
Telaio nero per girevole, Ø 16mm. Black swivel frame Ø 16mm.
- 06. 1x ACW247**C**
Carter sottosedile telaio girevole. Outer seat cover, swivel chair.
- 07. 1x MSW046A****
Scocca. Shell.
- 08. 4x VTM0820PPBFB**
Vite TCE1 M8x20mm, brunita. Screw allen socket head M8x20mm, bronzed.

Opzioni / Options

- 1x COL007A06**
Pannello sedile in legno da tappezzare. Wooden seat panel to be upholstered.
- 6x VTM0514BPBFZ**
Vite TBE1 M5x14mm, zincata. Screw hex recess truss head M5x14mm, zinc-plated.
- 4x PDT006**
Feltro per piedino nero. Black felt.
- 1x ACM282FC**
Colonna cromata girevole alta autoallineante. Chromed auto-return swivel high column.

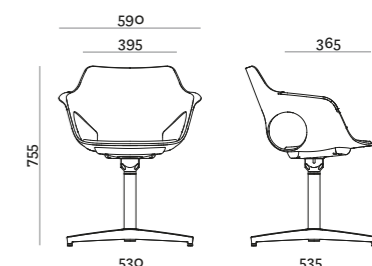
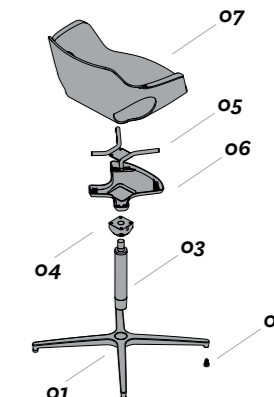


Colori / Colours

- | | |
|----------------|--------------|
| WN CLOUD | E7 CREAM |
| E4 ROAD | E8 CORAL BAY |
| E5 VALENCIA | E9 MUSTARD |
| E6 WATER GREEN | |

Colori carter / Carter colours

- | | |
|----------|---------|
| E7 CREAM | E4 ROAD |
| WN CLOUD | |



OLÉ kit 206/C

Sedia in plastica su slitta / Skid plastic chair

- 01. 1x TLF131****
Telaio a slitta. Skid frame.
- 02. 4x PDA001ANE**
Piedino neutro antirotazione per telaio slitta. Neutral anti-rotation glide for skid frame.
- 03. 1x MSW046A****
Scocca. Shell.
- 04. 1x ACW247**B**
Carter sottosedile telaio slitta. Outer seat cover, skid frame.

Opzioni / Options

- 1x COL007A06**
Pannello sedile in legno da tappezzare. Wooden seat panel to be upholstered.
- 6x VTM0514BPBFZ**
Vite TBE1 M5x14mm, zincata. Screw hex recess truss head M5x14mm, zinc-plated.



Colori / Colours

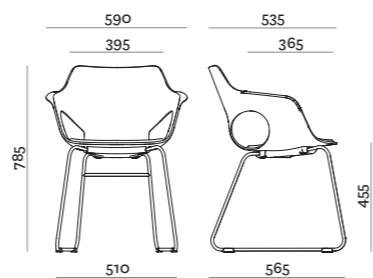
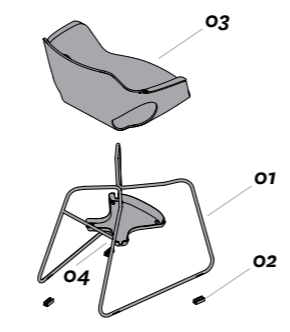
- | | |
|----------------|--------------|
| WN CLOUD | E7 CREAM |
| E4 ROAD | E8 CORAL BAY |
| E5 VALENCIA | E9 MUSTARD |
| E6 WATER GREEN | |

Colori carter / Carter colours

- | | |
|----------|---------|
| E7 CREAM | E4 ROAD |
| WN CLOUD | |

Colori telaio / Frame colours

- | | |
|------------|---------|
| FC CHROMED | E4 ROAD |
| BC WHITE | |



OLÉ

Varianti / Variants



OLÉ KIT 205/A
Scocca su telaio 4 gambe antracite. Shell on 4 legs anthracite frame.



OLÉ KIT 206/A
Scocca su telaio slitta antracite. Shell on skid anthracite frame.



OLÉ KIT 207/E
Scocca su base piramidale in alluminio c/piedini, girevole 360°. Shell on pyramidal aluminium base w/glides, 360° swivel.



OLÉ KIT 205/B
Scocca su telaio 4 gambe bianco. Shell on 4 legs white frame.



OLÉ KIT 206/B
Scocca su telaio slitta bianco. Shell on skid white frame.



OLÉ KIT 207/G
Scocca su base 5 razze piccola in alluminio c/ruote, supporto c/leva per alzata a gas, girevole 360°. Shell on 5 stars small aluminium base w/castors, seat support w/lever for gas lift, 360° swivel.

OLÉ

Colori telaio / Frame colours



FC
CHROMED



BC
WHITE



E4
ROAD

OLÉ

Colori / Colours



WN
CLOUD



E6
WATER GREEN



E8
CORAL BAY



E4
ROAD



E7
CREAM



E9
MOUSTARD



E5
VALENCIA

OLÉ

Colori carter / Carter colours



E7
CREAM



WN
CLOUD



E4
ROAD

OLÉ WOOD





OLÉ WOOD

*“I like a man who can build things.
Whittle me something out of **wood**
and I’m sold. **Olé!**”*

Ana Blanca Montero



design: Ximo Roca Diseño

OLÉ WOOD kit 216/C

Sedia in legno 4 gambe / 4 legs wooden chair

01. 1x TLF130**

Telaio 4 gambe, senza piedini. 4 legs frame, without glides.

02. 4x PDY003ANR

Piedino nero autolivellante. Black self-levelling glide.

03. 4x ACP246NR

Piastrina nera fissaggio scocca. Shell black fixing plate.

04. 1x ACW247**A

Carter sottosedile telaio 4 gambe. Outer seat cover, 4 legs.

05. 1x MSLo46A**

Scocca in multistrato. Plywood shell.

06. 8x VTM0525BPCFZ

Vite HILO TBL COMBI FR 5x25mm, zincata. HILO screw wide combo truss head 5x25mm, zinc-plated.

Opzioni / Options

4x PDT003

Feltro nero per piedino autolivellante. Black felt for self-levelling glide.

1x COL007A06

Pannello sedile in legno da tappezzare. Wooden seat panel to be upholstered.

6x VTM0520PSXFZ

Vite autofilettante, M5x2 mm, zincata. Self-threading screw, M5x20mm, zinc-plated.



Colori / Colours

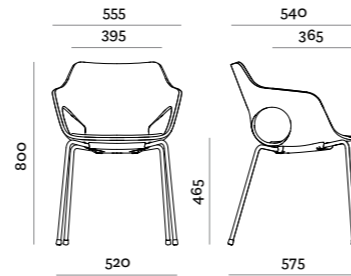
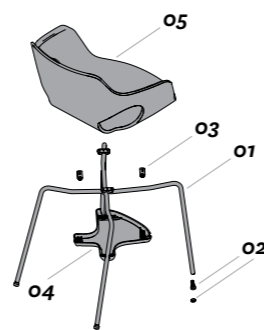
- | | |
|-----------------|-------------------|
| LW
WENGÉ | RG
GREY OAK |
| RB
WHITE OAK | RV
NATURAL OAK |

Colori carter / Carter colours

- | | |
|-------------|------------|
| E7
CREAM | E4
ROAD |
| WN
CLOUD | |

Colori telaio / Frame colours

- | | |
|---------------|------------|
| FC
CHROMED | E4
ROAD |
| BC
WHITE | |



OLÉ WOOD kit 218/F

Sedia girevole in legno su base piramidale / Swivel wooden chair on pyramidal base

01. 1x BAM07501AL

Base piramidale 4 razze, alluminio. 4 stars aluminium pyramidal base.

02. 4x PDY006AGH

Piedino grigio. Grey glide.

03. 1x ACM267FZB

Adattatore girevole 360° per base piramidale (con una spina). 360° swivel adaptor for pyramidal base (with one plug).

04. 1x ACY299GH

Tappo sottobase. Base lower cap.

05. 1x PSM032DUAL

Supporto DUAL, alluminio lucidato. DUAL support, polished aluminium.

06. 1x TLF132NR

Telaio nero per girevole. Black swivel frame.

07. 4x ACP246NR

Piastrina nera fissaggio scocca. Shell black fixing plate.

08. 1x ACW247**C

Carter sottosedile telaio girevole. Outer seat cover, swivel chair.

09. 1x MSLo46A**

Scocca in multistrato. Plywood shell.

10. 8x VTM0525BPCFZ

Vite HILO TBL COMBI FR 5x25mm, zincata. HILO screw wide combo truss head 5x25mm, zinc-plated.

11. 1x VTM0620PSBFB

Vite TPSEI M6x20mm, brunita. Screw bevelled hex recess flat head M6x20mm, bronzed.

12. 4x VTM0820PPBFB

Vite TCEI M8x20mm, brunita. Screw allen socket head M8x20mm, bronzed.

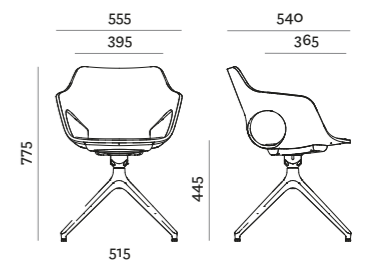
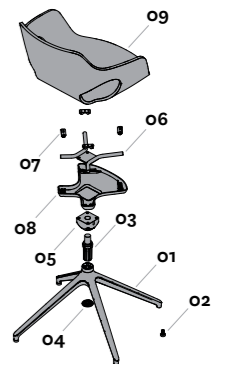


Colori / Colours

- | | |
|-----------------|-------------------|
| LW
WENGÉ | RG
GREY OAK |
| RB
WHITE OAK | RV
NATURAL OAK |

Colori carter / Carter colours

- | | |
|-------------|------------|
| E7
CREAM | E4
ROAD |
| WN
CLOUD | |



OLÉ WOOD kit 217/C

Sedia in legno su slitta / Skid wooden chair

01. 1x TLF131**

Telaio a slitta. Skid frame.

02. 4x PDA001ANE

Piedino neutro antirotazione per telaio a slitta. Neutral anti-rotation glide for skid frame.

03. 4x ACP246NR

Piastrina nera fissaggio scocca. Shell black fixing plate.

04. 1x ACW247**B

Carter sottosedile telaio a slitta. Outer seat cover, skid frame.

05. 1x MSLo46A**

Scocca in multistrato. Plywood shell.

06. 8x VTM0525BPCFZ

Vite HILO TBL COMBI FR 5x25mm, zincata. HILO screw wide combo truss head 5x25mm, zinc-plated.

Opzioni / Options

1x COL007A06

Pannello sedile in legno da tappezzare. Wooden seat panel to be upholstered.

6x VTM0520PSXFZ

Vite autofilettante, M5x20 mm, zincata. Self-threading screw, M5x20 mm, zinc-plated.



Colori / Colours

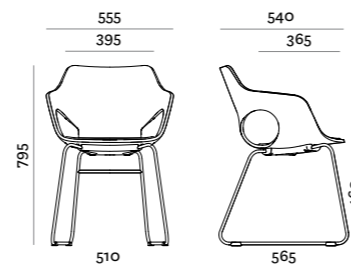
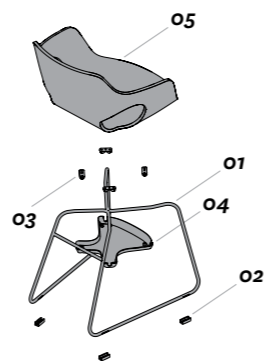
- | | |
|-----------------|-------------------|
| LW
WENGÉ | RG
GREY OAK |
| RB
WHITE OAK | RV
NATURAL OAK |

Colori carter / Carter colours

- | | |
|-------------|------------|
| E7
CREAM | E4
ROAD |
| WN
CLOUD | |

Colori telaio / Frame colours

- | | |
|---------------|------------|
| FC
CHROMED | E4
ROAD |
| BC
WHITE | |



Opzioni / Options

4x PDT006

Feltro nero. Black felt.

1x COL007A06

Pannello sedile da tappezzare, 6 borchie, legno. Wooden seat panel to be upholstered, 6 t-nuts.

6x VTM0520PSXFZ

Vite autofilettante, M5x20mm, zincata. Self-threading screw, M5x20mm, zinc-plated.

1x ACM267FZA

Adattatore autoallineante per base alta. Auto-return adaptor for high base.

1x ACY268GH

Cuffia sottobase grigia per adattatore autoallineante. Cover for auto-return adaptor, grey.

1x VTM0610PSBFZ

Vite TPSEI M6x10mm per ACY268GH, zincata. Screw bevelled hex recess flat head M6x10mm for ACY268GH, zinc-plated.

1x ACM267FZC

Adattatore fisso per base piramidale (con 1+2 spine). Fixed adaptor for pyramidal base (with 1+2 plugs).

OLÉ WOOD

Colori / Colours



LW
WENGÈ



RG
GREY OAK



RV
NATURAL OAK



RB
WHITE OAK

OLÉ WOOD

Colori carter / Carter colours



E7
CREAM



WN
CLOUD



E4
ROAD

OLÉ WOOD

Colori telaio / Frame colours



FC
CHROMED



BC
WHITE



E4
ROAD



MARIQUITA



MARIQUITA

*“Adiós **mariquita** linda,
ya me voy con el alma entristecida
por la angustia y el dolor”*

Nat King Cole



design: Ximo Roca Diseño



MARIQUITA kit 166/A
Sgabello su telaio slitta alto.
Stool on high skid frame.

MARIQUITA kit 166/D
Sgabello girevole su base fissa
con poggiapiedi.
*Swivel stool on fix base with
footrest.*



MARIQUITA kit 165/A

Sedia in plastica su slitta con braccioli / Skid plastic chair with armrests

01. 1x TLF092FCBF

Telaio cromato a slitta con braccioli. *Chromed skid frame with arms.*

02. 4x ACP108NE

Piedino neutro antirotazione standard per telaio slitta. *Neutral standard anti-rotation glide for skid frame.*

03. 1x MSW012A**

Scocca. *Shell.*

04. 4x ACW835**

Aggancio per fissaggio scocca su telaio. *Shell / frame hook.*

05. 1x ACW836Q6A

Tappo anteriore grigio per scocca. *Shell front grey cap.*

06. 1x ACW834Q6

Aggancio grigio per fissaggio schienale scocca al telaio. *Backrest shell / frame grey hook.*

07. 2x BRW191A**

Bracciolo. *Armrest.*

08. 1x ACM879FBB

Confezione viti fissaggio scocca su telaio. *Screws kit for shell / frame fixing.*

09. 1x ACM878FB

Confezione viti braccioli. *Screws kit for armrests.*



Colori / Colours



NR
DARK



Q1
WINE



BC
WHITE



Q4
FOREST



W2
PRUSSIAN



60
TOASTED



Q7
LIGHT

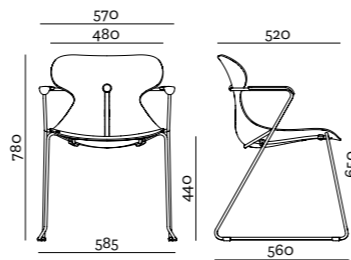
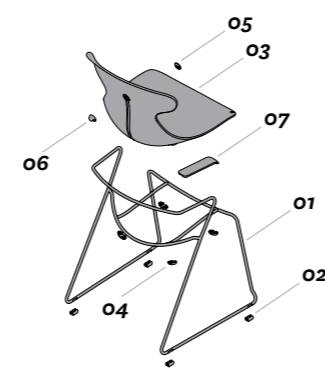


Q3
AVIO

Colori telaio / Frame colours



FC
CHROMED



01. 1x TLF098FC

Telaio cromato 4 gambe, piedini assemblati. *Chromed 4 legs frame, assembled glides.*

02. 1x MSW012A**

Scocca. *Shell.*

03. 4x ACW881**

Aggancio per fissaggio sedile scocca su telaio. *Shell / frame hook.*

04. 1x ACW836Q6A

Tappo anteriore grigio per scocca. *Shell front grey cap.*

05. 1x ACW836Q6P

Tappo grigio posteriore per scocca. *Shell back grey cap.*

06. 8x VTM0525BPXFB

Vite Hilo s/punta testa Ø 10,5mm TB+DS 5x25mm, brunita. *Hilo screw tip Ø 10,5mm truss head 5x25mm, bronzed.*



Colori / Colours



NR
DARK



Q1
WINE



BC
WHITE



Q4
FOREST



W2
PRUSSIAN



60
TOASTED



Q7
LIGHT

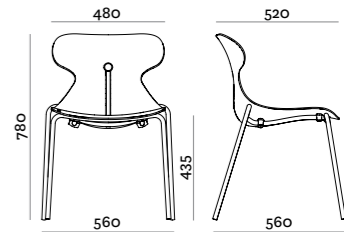
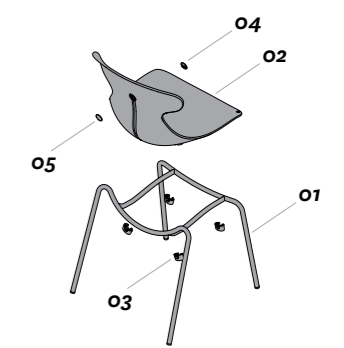


Q3
AVIO

Colori telaio / Frame colours



FC
CHROMED



MARIQUITA kit 166/A

Sgabello alto in plastica su slitta / High skid plastic stool

01. 1x TLF093FCF

Telaio cromato alto a slitta. *Chromed high skid frame.*

02. 4x ACP108NE

Piedino neutro antirotazione standard per telaio slitta. *Neutral standard anti-rotation glide for skid frame.*

03. 1x MSW013A**

Scocca. *Shell.*

04. 4x ACW835**

Aggancio per fissaggio scocca su telaio. *Shell / frame hook.*

05. 1x ACW836Q6A

Tappo grigio anteriore per scocca. *Shell front grey cap.*

06. 1x ACW834Q6

Aggancio grigio per fissaggio schienale scocca al telaio. *Backrest shell / frame grey hook.*

07. 1x ACM879FBB

Confezione viti fissaggio scocca su telaio. *Screws kit for shell / frame fixing.*

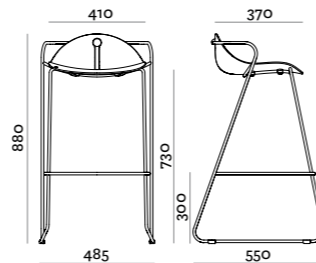
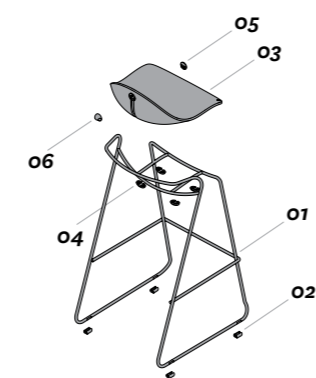


Colori / Colours

NR DARK	Q1 WINE
BC WHITE	Q4 FOREST
W2 PRUSSIAN	60 TOASTED
Q7 LIGHT	Q3 AVIO

Colori telaio / Frame colours

FC CHROMED



MARIQUITA kit 166/D

Sgabello girevole in plastica con poggiatesta / Swivel plastic stool with footrest

01. 1x BAM06139FC

Base rotonda in acciaio inox cromato. *Chromed stainless steel round base.*

02. 1x ALM02031FC

Alzata cromata a gas cilindrica, 50x28x425mm, corsa 250mm, con 3 viti fissaggio base. *Chromed cylindrical gas lift 50x28x425mm, run 250mm, with 3 fixing screws.*

03. 1x PSM032DUAL

Supporto DUAL, alluminio lucidato. *DUAL support, polished aluminium.*

04. 1x LVM006FC

Leva cromata per supporto scocca. *Chromed lever for shell support.*

05. 1x TLF101FC

Telaio cromato per sgabello girevole. *Chromed swivel stool frame.*

06. 1x MSW013A**

Scocca. *Shell.*

07. 4x ACW881**

Aggancio per fissaggio sedile scocca su telaio. *Shell / frame hook.*

08. 1x ACW836Q6A

Tappo grigio anteriore per scocca. *Shell front grey cap.*

09. 1x ACW836Q6

Tappo grigio posteriore per scocca. *Shell back grey cap.*

10. 4x VTM0820PPBFB

Vite TCEI M8x20mm, brunita. *Screw allen socket head M8x20mm, bronzed.*

11. 8x VTM0525BPXFB

Vite HILO s/punta testa Ø 10.5 TB + DS 5x25mm, brunita. *HILO screw tip Ø 10.5 truss head 5x25mm, bronzed.*

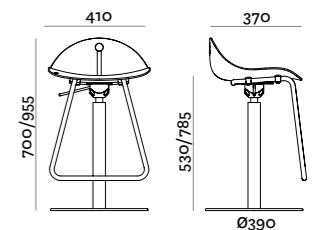
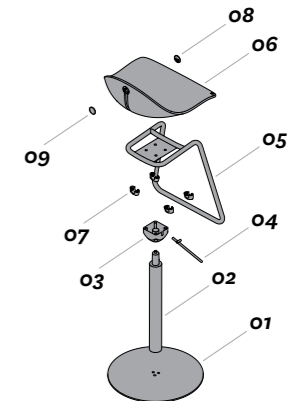


Colori / Colours

NR DARK	Q1 WINE
BC WHITE	Q4 FOREST
W2 PRUSSIAN	60 TOASTED
Q7 LIGHT	Q3 AVIO

Colori telaio / Frame colours

FC CHROMED



MARIQUITA kit 166/B

Sgabello medio in plastica su slitta / Medium skid plastic stool

01. 1x TLF094FCF

Telaio cromato medio a slitta. *Chromed medium skid frame.*

02. 4x ACP108NE

Piedino neutro antirotazione standard per telaio slitta. *Neutral standard anti-rotation glide for skid frame.*

03. 1x MSW013A**

Scocca. *Shell.*

04. 4x ACW835**

Aggancio per fissaggio scocca su telaio. *Shell / frame hook.*

05. 1x ACW836Q6A

Tappo grigio anteriore per scocca. *Shell front grey cap.*

06. 1x ACW834Q6

Aggancio grigio per fissaggio schienale scocca al telaio. *Backrest shell / frame grey hook.*

07. 1x ACM879FBB

Confezione viti fissaggio scocca su telaio. *Screws kit for shell / frame fixing.*

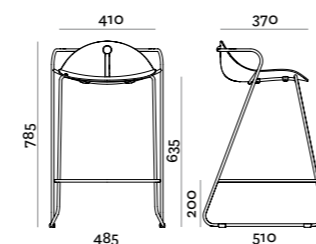
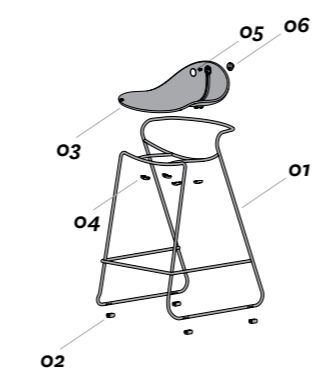


Colori / Colours

NR DARK	Q1 WINE
BC WHITE	Q4 FOREST
W2 PRUSSIAN	60 TOASTED
Q7 LIGHT	Q3 AVIO

Colori telaio / Frame colours

FC CHROMED



MARIQUITA

Varianti / Variants



MARIQUITA KIT 165/B
Scocca su telaio slitta.
Shell on skid frame.



MARIQUITA KIT 165/C
Scocca su telaio 4 gambe
con braccioli. *Shell on
4 legs frame with armrests.*



MARIQUITA KIT 165/E
Scocca su base girevole
con braccioli. *Swivel chair
with armrests.*



MARIQUITA KIT 165/F
Scocca su base girevole.
Swivel chair.



MARIQUITA KIT 165/G
Panca 2 posti.
2 seats bench.



MARIQUITA KIT 165/H
Panca 3 posti.
3 seats bench.



MARIQUITA KIT 165/I
Panca 4 posti.
4 seats bench.



MARIQUITA KIT 165/L
Panca 5 posti.
5 seats bench.

MARIQUITA

Colori / Colours



NR
DARK



Q7
LIGHT



60
TOASTED



BC
WHITE



Q1
WINE



Q3
AVIO



W2
PRUSSIAN



Q4
FOREST

ONE-SHOT





ONE-SHOT

*“One morning I **shot** an elephant
in my pajamas. How he got into my pajamas
I’ll never know”*

Groucho Marx



design: Brado Factory

ONE-SHOT kit 208/A

Sedia in plastica 4 gambe / 4 legs plastic chair

01. 1x TLF107FC
Telaio cromato 4 gambe, piedini assemblati.
4 legs Chromed frame assembled glides.

02. 1x SSP359A**
Sottosedile. Outer seat.

03. 1x SDP146AN1**
Sedile. Seat.

04. 1x SCP530A**
Schienale. Backrest.

05. 2x ACP063NR
Compensatore nero schienale/telaio. Black
backrest/frame compensator.

06. 8x VTM0512BPXFB
Vite HILO s/punta testa Ø 10,5mm TB + DS 5x12mm,
brunita. HILO screw tip Ø mm10,5 truss head
5x12mm, bronzed.

Opzioni / Options

1x SDP170AN1
Pannello sedile da tappezzare. Seat panel to be
upholstered.

8x VTM0413BPXNR
Vite truciolare TBL + FR 4x13mm, nera. Chipboard
screw wide truss head eslok 4x13mm, black.



Colori / Colours



NR
DARK



BC
WHITE



W2
PRUSSIAN



E7
CREAM



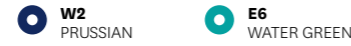
FC
CHROMED



Q1
WINE



E9
MOUSTARD

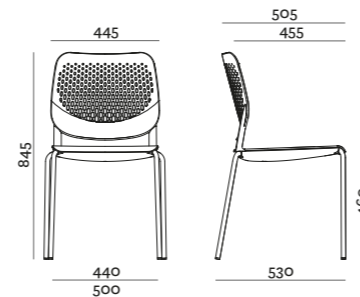
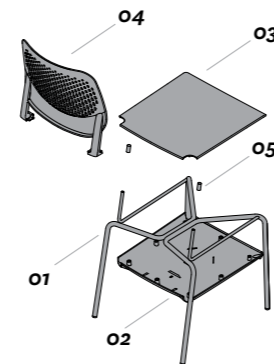


E6
WATER GREEN

Colori telaio / Frame colours



FC
CHROMED



ONE-SHOT kit 208/B

Sedia in plastica su slitta / Skid plastic chair

01. 1x TLF106FC
Telaio cromato a slitta, per piedini antirotazione.
Chromed skid frame for anti-rotation glides.

02. 1x ACP062NEA
4 piedini neutri antirotazione. 4 anti-rotation
neutral glides.

03. 1x SSP357A**
Sottosedile. Outer seat.

04. 1x SDP146AN1**
Sedile. Seat.

05. 1x SCP530A**
Schienale. Backrest.

06. 2x ACP063NR
Compensatore nero schienale/telaio. Black
backrest/frame compensator.

07. 8x VTM0512BPXFB
Vite HILO s/punta testa Ø 10,5mm TB + DS 5x12mm,
brunita. HILO screw tip Ø 10,5mm truss head
5x12mm, bronzed.

Opzioni / Options

1x SDP170AN1
Pannello sedile da tappezzare. Seat panel to be
upholstered.

8 x VTM0413BPXNR
Vite truciolare TBL + FR 4x13mm, nera. Chipboard
screw wide truss head eslok 4x13mm, black.

1x ACP062NEB
4 piedini neutri antirotazione con agganci.
4 anti-rotation linking neutral glides.



Colori / Colours



NR
DARK



BC
WHITE



W2
PRUSSIAN



E7
CREAM



FC
CHROMED



Q1
WINE



E9
MOUSTARD

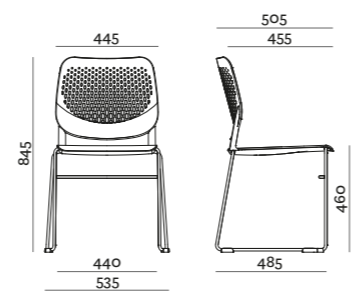
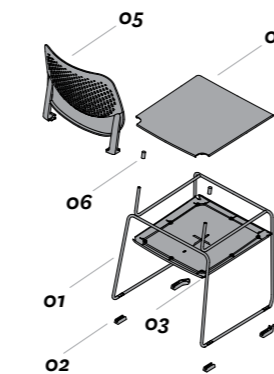


E6
WATER GREEN

Colori telaio / Frame colours



FC
CHROMED



ONE-SHOT kit 208/C

Sedia in plastica 4 gambe con braccioli chiusi / 4 legs plastic chair with loop armrests

01. 1x TLF107FCB
Telaio cromato 4 gambe con braccioli chiusi, piedini
assemblati. 4 legs chromed frame with loop arms,
assembled glides.

02. 1x SSP359A**
Sottosedile. Outer Seat.

03. 1x SDP146AN1**
Sedile. Seat.

04. 1x SCP530A**
Schienale. Backrest.

05. 2x ACP063NR
Compensatore nero schienale/telaio. Black
backrest/frame compensator.

06. 2x ACP088**
Pad superiore bracciolo. Armrest upper pad.

07. 2x BRP204A**
Pad inferiore bracciolo. Armrest lower pad.

08. 8x VTM0512BPXFB
Vite HILO s/punta testa Ø 10,5mm TB + DS 5x12mm,
brunita. HILO screw tip Ø mm10,5 truss head
5x12mm, bronzed.

09. 4x VTM0418BPXFB
Vite truciolare TC + 4x18mm, brunita. Chipboard
screw PZ pan head 4x18mm, bronzed.

Opzioni / Options

1x SDP170AN1
Pannello sedile da tappezzare. Seat panel to be
upholstered.

8x VTM0413BPXNR
Vite truciolare TBL + FR 4x13mm, nera. Chipboard
screw wide truss head eslok 4x13mm, black.



Colori / Colours



NR
DARK



BC
WHITE



W2
PRUSSIAN



E7
CREAM



FC
CHROMED



Q1
WINE



E9
MOUSTARD

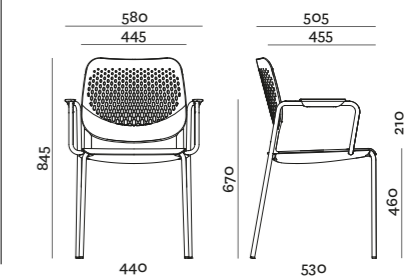
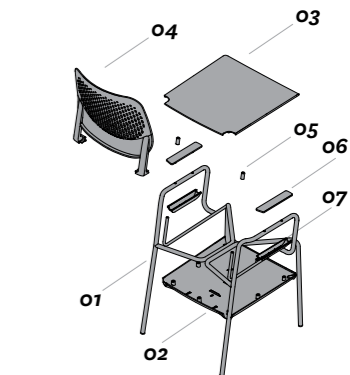


E6
WATER GREEN

Colori telaio / Frame colours



FC
CHROMED



ONE-SHOT

Varianti / Variants



ONE-SHOT KIT 208/D
Telaio 4 gambe con braccioli aperti. 4 legs frame, open armrests.



ONE-SHOT KIT 208/E
Sgabello 4 gambe. Stool on 4 legs.



ONE-SHOT KIT 208/F
Telaio slitta con supporto e tavoletta antipanico. Skid frame with anti-panic writing tablet support.



ONE-SHOT KIT 208/G
Telaio slitta con braccioli. Shell on skid frame with armrests.



ONE-SHOT KIT 208/H
Telaio 4 gambe con braccioli chiusi e tavoletta antipanico. Shell on 4 legs frame with open armrests and right anti-panic writing tablet.

ONE-SHOT

Colori / Colours



NR
DARK



E7
CREAM



E9
MOUSTARD



BC
WHITE



Q1
WINE



E6
WATER GREEN



W2
PRUSSIAN

MALIKA





MALIKA

*“The smile of **Malika** opened up a door,
behind which there was the Universe”*

Khaled Hassam



design: Brado Factory



MALIKA KIT 186/E
Sgabello 4 gambe.
Stool on 4 legs.



MALIKA kit 186/A
Telaio 4 gambe.
4 legs frame.

MALIKA kit 186/A

Sedia in plastica 4 gambe / 4 legs plastic chair

01. 1x TLF107FC
Telaio cromato 4 gambe con piedini assemblati.
4 legs chromed frame with assembled glides.

02. 1x SSP359A
Sottosedile. Outer seat.

03. 1x SDP146AN1
Sedile. Seat.

04. 1x SCP346A
Schienale. Backrest.

05. 2x ACP063NR
Compensatore nero schienale/telaio. Black
backrest/frame compensator.

06. 8x VTM0512BPXFB
Vite HILO s/punta testa Ø 10,5mm TB + DS 5x12mm,
brunita. HILO screw tip Ø 10,5mm truss head
5x12mm, bronzed.

Opzioni / Options

1x SHP161AN1
Pannello schienale da tappezzare. Backrest panel
to be upholstered.

1x SDP170AN1
Pannello sedile da tappezzare. Seat panel to be
upholstered.

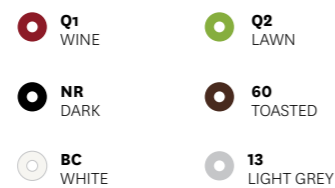
1x ACA059NE
Confezione tappi fissaggio pannello schienale,
in ABS neutro trasparente. ABS neutral backrest
cover fixing caps kit.

8x VTM0413BPXNR
Vite truciolare TBL + FR 4x13mm, nera. Chipboard
screw wide truss head eslok 4x13mm, black.

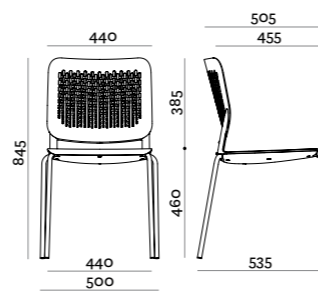
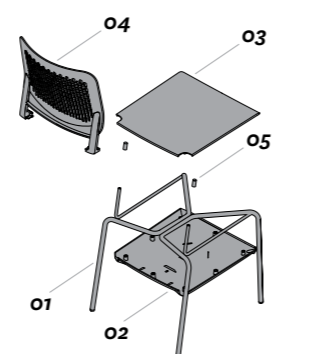
6x VTM0418PSXFB
Vite truciolare TPS + 4x18mm, brunita. Chipboard
screw PZ countersunk flat head 4x18mm, bronzed.



Colori / Colours



Colori carter / Carter colours



MALIKA kit 186/B

Sedia in plastica su slitta / Skid plastic chair

01. 1x TLF106FC
Telaio a slitta cromato. Chromed skid frame.

02. 1x ACP062NEA
4 piedini neutri antirotazione. 4 anti-rotation
neutral glides.

03. 1x SSP357A
Sottosedile. Outer seat.

04. 1x SDP146AN1
Sedile. Seat.

05. 1x SCP346A
Schienale. Backrest.

06. 2x ACP063NR
Compensatore nero schienale/telaio. Black
backrest/frame compensator.

07. 8x VTM0512BPXFB
Vite HILO s/punta testa Ø 10,5mm TB + DS 5x12mm,
brunita. HILO screw tip Ø 10,5mm truss head
5x12mm, bronzed.

Opzioni / Options

1x SHP161AN1
Pannello schienale da tappezzare. Backrest panel
to be upholstered.

1x SDP170AN1
Pannello sedile da tappezzare. Seat panel
to be upholstered.

1x ACA059NE
Confezione tappi fissaggio pannello schienale,
in ABS neutro trasparente. ABS neutral backrest
cover fixing caps kit.

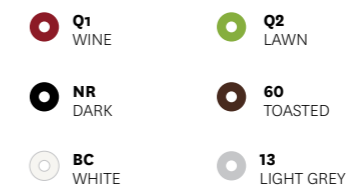
8x VTM0413BPXNR
Vite truciolare TBL+ FR 4x13mm, nera. Chipboard
screw wide truss head eslok 4x13mm, black.

6x VTM0418PSXFB
Vite truciolare TPS + 4x18mm, brunita. Chipboard
screw PZ countersunk flat head 4x18mm, bronzed.

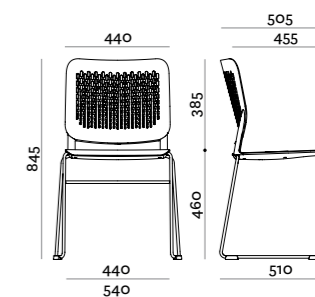
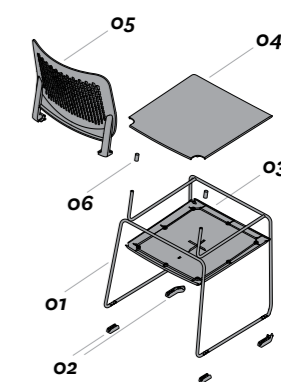
1x ACP062NEB
4 piedini neutri antirotazione con agganci.
4 anti-rotation linking neutral glides.



Colori / Colours



Colori carter / Carter colours



MALIKA kit 186/C

Sedia in plastica 4 gambe con braccioli chiusi / 4 legs plastic chair with loop armrests

01. 1x TLF107FCB

Telaio cromato 4 gambe con braccioli chiusi, piedini assemblati. 4 legs chromed frame with loop arms, assembled glides.

02. 1x SSP359A**

Sottosedile. Outer seat.

03. 1x SDP146AN1**

Sedile. Seat.

04. 1x SCP346A**

Schienale. Backrest.

05. 2x ACP063NR

Compensatore nero schienale/telaio. Black backrest/frame compensator.

06. 2x ACP088**

Pad superiore bracciolo. Armrest upper pad.

07. 2x BRP204A**

Pad inferiore bracciolo. Armrest lower pad.

08. 8x VTM0512BPXFB

Vite HILO s/punta testa Ø 10,5mm TB + DS 5x12mm, brunita. HILO screw tip Ø 10,5mm truss head 5x12mm, bronzed.

09. 4x VTM0418BPXFB

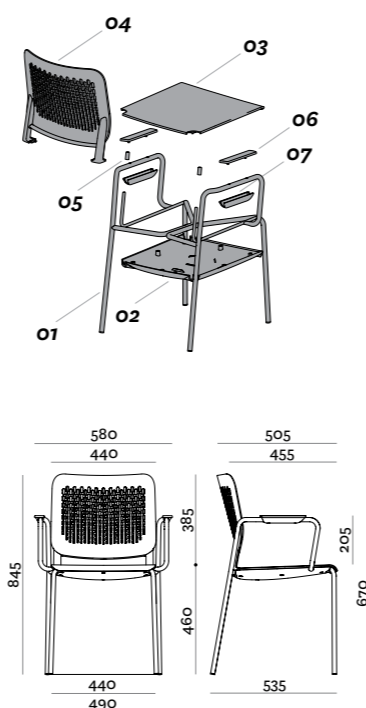
Vite truciolare TC + 4x18mm, brunita. Chipboard screw PZ pan head 4x18mm, bronzed.



Colori / Colours



Colori telaio / Frame colours



Opzioni / Options

1x SHP161AN1

Pannello schienale da tappezzare. Backrest panel to be upholstered.

1x SDP170AN1

Pannello sedile da tappezzare. Seat panel to be upholstered.

1x ACA059NE

Confezione tappi fissaggio pannello schienale, in ABS neutro trasparente. ABS neutral backrest cover fixing caps kit.

8x VTM0413BPXNR

Vite truciolare TBL+ FR 4x13mm, nera. Black chipboard screw wide truss head eslok 4x13mm.

6x VTM0418PSXFB

Vite truciolare TPS + 4x18mm, brunita. Bronzed chipboard screw PZ countersunk flat head 4x18mm.

MALIKA

Varianti / Variants



MALIKA KIT 186/D

Telaio 4 gambe con braccioli aperti. 4 legs frame, open armrests.



MALIKA KIT 186/E

Sgabello 4 gambe. Stool on 4 legs.



MALIKA KIT 186/F

Telaio slitta con supporto e tavoletta antipanico. Skid frame with anti-panic writing tablet support.



MALIKA KIT 186/G

Telaio slitta con braccioli. Shell on skid frame with armrests.



MALIKA KIT 186/H01

Telaio 4 gambe con braccioli chiusi e tavoletta antipanico. 4 legs frame with closed armrests and anti-panic writing tablet.

MALIKA

Colori / Colours



Q1
WINE



BC
WHITE



Q2
LAWN



NR
DARK



W2
PRUSSIAN



60
TOASTED



13
LIGHT GREY



FRESH



FRESH

*“Each day is a little life:
every waking and rising a little birth,
every **fresh** morning a little youth”*

Arthur Schopenhauer



design: Brado Factory



FRESH KIT 192/C
Telaio 4 gambe,
versione da tappezzare.
*4 legs frame,
upholstering version.*



FRESH KIT 192/A
Telaio 4 gambe.
4 legs frame.

FRESH kit 192/A

Sedia in plastica 4 gambe / 4 legs plastic chair

- 01. 1x TLY119****
Telaio 4 gambe. 4 legs frame.
- 02. 1x SDP174**A**
Sedile. Seat.
- 03. 1x SCP506**A**
Schienale. Backrest.
- 04. 4x DSP062NE**
Distanziale neutro per impilaggio. Stacking neutral spacer.
- 05. 2x VTM0320BPTFB**
Vite truciolare TC+ 3x20mm, zincata. Chipboard screw PZ pan head 3x20mm, zinc-plated.
- 06. 4x VTM0521BPXFZ**
Vite kappaplast TBL+ 5x20mm, zincata. Kplast screw wide truss head 5x20mm, zinc-plated.



Colori / Colours

● **NR** DARK ● **Q1** WINE

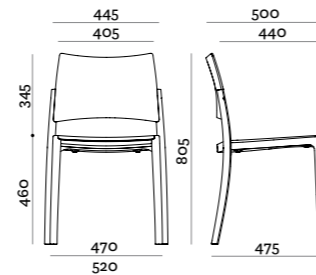
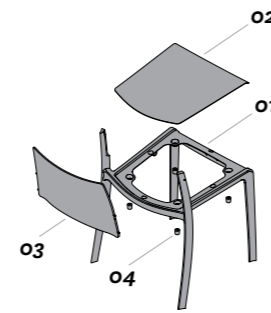
○ **F9** WHITE MATT ● **F5** FLY

● **F6** GREY

Colori telaio / Frame colours

○ **G3** PLATA ● **NR** DARK

○ **WN** CLOUD



FRESH kit 192/B

Sedia in plastica 4 gambe con braccioli / 4 legs plastic chair with armrests

- 01. 1x TLY119****
Telaio 4 gambe. 4 legs frame.
- 02. 1x SDP174**A**
Sedile. Seat.
- 03. 1x SCP506**A**
Schienale. Backrest.
- 04. 2x BRY207A****
Bracciolo (1 dx o 1sx). Armrest (1rh or 1lh).
- 05. 4x DSP062NE**
Distanziale neutro per impilaggio. Stacking neutral spacer.
- 06. 2x VTM0320BPTFB**
Vite truciolare TC + 3x20mm, zincata. Chipboard screw PZ pan head 3x20mm, zinc-plated.
- 07. 2x VTM0520PPBFZ**
Vite TCEI M5x20mm, zincata. Screw allen socket head M5x20mm, zinc-plated.
- 08. 4x VTM0521BPXFZ**
Vite kappaplast TBL+ 5x20mm, zincata. Kplast screw wide truss head 5x20mm, zinc-plated.
- 09. 2x VTM0841PPBFZ**
Vite TCEI M8x41mm, zincata. Screw allen socket head M8x41mm, zinc-plated.



Colori / Colours

● **NR** DARK ● **Q1** WINE

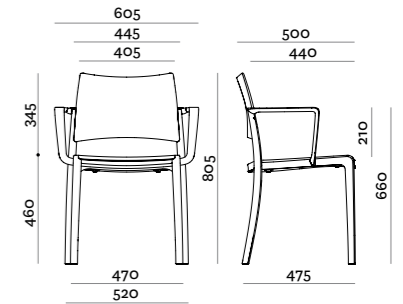
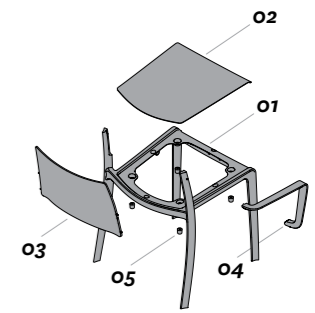
○ **F9** WHITE MATT ● **F5** FLY

● **F6** GREY

Colori telaio e braccioli / Frame and armrests colours

○ **G3** PLATA ● **NR** DARK

○ **WN** CLOUD



FRESH kit 192/C

Sedia in plastica 4 gambe, da tappezzare / 4 legs plastic chair, to be upholstered

01. 1x TLY119**

Telaio 4 gambe. 4 legs frame.

02. 1x SDP174ANN

Sedile neutro da tappezzare. Neutral seat to be upholstered.

03. 1x SSP373AG3

Sottosedile colore plata per versione tappezzata. Outer seat plata colour to be upholstered.

04. 1x SCP506ANN

Schienale neutro da tappezzare. Neutral backrest to be upholstered.

05. 4x VTM0516BPXFZ

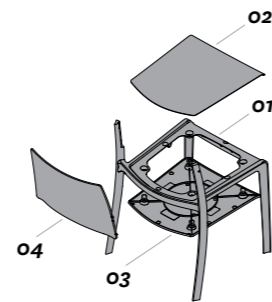
Vite KAPPLAST TBL+FR 5x16mm, zincata. KPLAST screw wide truss head eslok 5x16mm, zinc-plated.

06. 2x VTM0320BPTFB

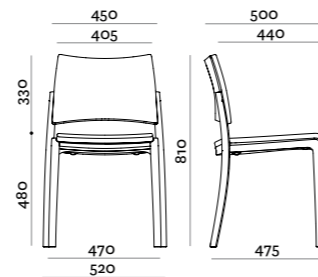
Vite truciolare TC+ 3x20mm, zincata. Chipboard screw PZ pan head 3x20mm, zinc-plated.

07. 4x ACM145FG

Spina per fissaggio schienale Ø 4x22x6Hmm, acciaio. Steel fixing insert for backrest Ø 4x22x6H.



Colori telaio / Frame colours



FRESH

Colori / Colours



NR
DARK



F6
GREY



F5
FLY



F9
WHITE MATT



Q1
WINE

FRESH

Colori telaio e braccioli / Frame and armrests colours



G3
PLATA



WN
CLOUD



NR
DARK

KENTRA





KENTRA

*“This beach is a special place.
The **Kentra** Bay singing sands take their name
from the sounds they produce”*

James Webb



design: Brado Factory

KENTRA kit 187/B
Telaio 4 gambe con braccioli.
4 legs frame with armrests.



KENTRA KIT 187/E
Sedia su base girevole
con ruote e braccioli.
*Swivel chair with castors
and armrests.*

KENTRA KIT 187/Fo1
Telaio 4 gambe con bracciolo
sx e bracciolo tavoletta
antipanico dx.
*4 legs frame with left armrests
and right armrest with
anti-panic writing tablet.*



KENTRA kit 187/A

Sedia in plastica 4 gambe / 4 legs plastic chair

01. 1x TLF112**
Telaio 4 gambe, tubo quadro con piedini assemblati.
4 legs frame, squared tube with assembled glides.

02. 1x SDP168AN1**
Sedile. *Seat.*

03. 1x SCP488A**
Schienale. *Backrest.*

04. 2x ACP048**
Carter in plastica per schienale (1 dx o 1 sx).
Backrest plastic cover (1 rh or 1 lh).

05. 2x ACP084NR
Compensatore nero schienale/telaio. *Black backrest/frame compensator.*

06. 2x ACP158NR
Tappo nero per parte superiore schienale
(1 dx o 1 sx). *Blackrest upper back cover cap (1 rh or 1 lh).*

07. 2x ACP049**
Distanziale laterale per impilabilità telaio.
Stacking side spacer.

Opzioni / Options

1x ACP052NR
Pannello sedile da tappezzare. *Seat panel to be upholstered.*

1x ACP051NR
Pannello schienale da tappezzare. *Backrest panel to be upholstered.*

6x ACA083NE
Tappo neutro per fissaggio pannello schienale.
Neutral fixing cover cap for backrest panel.

8x VTMO413BPXNR
Vite truciolare TBL+ FR 4x13mm, nera. *Black chipboard screw wide truss head eslok 4x13mm.*



Colori / Colours



NR
DARK



31
BLUE



46
CHERRY



13
LIGHT GREY



BC
WHITE

Colori telaio / Frame colours



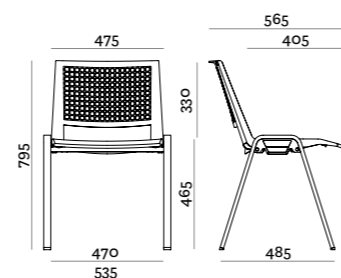
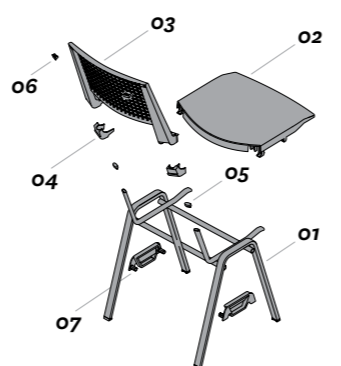
FC
CHROMED



NR
DARK



13
LIGHT GREY



KENTRA kit 187/B

Sedia in plastica 4 gambe con braccioli / 4 legs plastic chair with armrests

01. 1x TLF112**
Telaio 4 gambe, tubo quadro con piedini assemblati.
4 legs frame, squared tube with assembled glides.

02. 1x SDP168AN1**
Sedile. *Seat.*

03. 1x SCP488A**
Schienale. *Backrest.*

04. 2x ACP048**
Carter in plastica per schienale (1 dx o 1 sx).
Backrest plastic cover (1 rh or 1 lh).

05. 2x ACP084NR
Compensatore nero schienale/telaio. *Black backrest/frame compensator.*

06. 2x ACP158NR
Tappo nero per parte superiore schienale (1 dx o 1 sx). *Blackrest upper back cover cap (1 rh or 1 lh).*

07. 2x BRV203A**
Bracciolo in nylon (1 dx o 1 sx). *Nylon armrest (1 rh or 1 lh).*

08. 1x ACP132NE
Confezione viti per coppia braccioli. *Arms screws kit.*

Opzioni / Options

1x ACP052NR
Pannello sedile da tappezzare. *Seat panel to be upholstered.*

1x ACP051NR
Pannello schienale da tappezzare. *Backrest panel to be upholstered.*

6x ACA083NE
Tappo neutro fissaggio Pannello schienale da tappezzare. *Neutral fixing cover cap for backrest panel to be upholstered.*

8x VTMO413BPXNR
Vite truciolare TBL+ FR 4x13mm, nera. *Black chipboard screw wide truss head eslok 4x13mm.*



Colori / Colours



NR
DARK



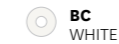
31
BLUE



46
CHERRY



13
LIGHT GREY



BC
WHITE

Colori telaio / Frame colours



FC
CHROMED



NR
DARK



13
LIGHT GREY

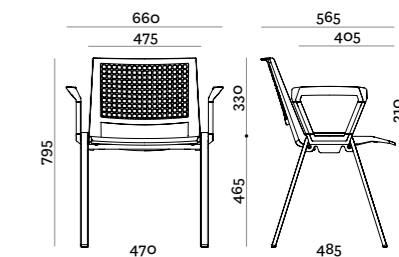
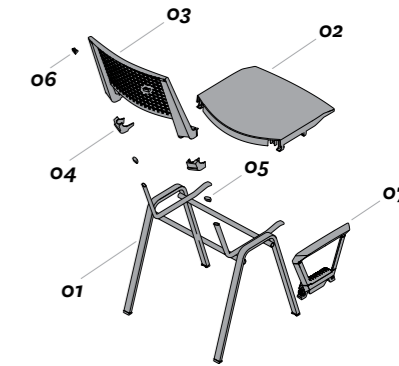
Colori braccioli / Armrests colours



13
LIGHT GREY



NR
DARK



KENTRA

Varianti / Variants



KENTRA KIT 187/D
Sedia su base girevole con piedini e braccioli. Swivel chair with glides and armrests.



KENTRA KIT 187/E
Sedia su base girevole con ruote e braccioli. Swivel chair with castors and armrests.



KENTRA KIT 187/Fo1
Telaio 4 gambe con bracciolo sxe bracciolo tavoletta antipanico dx. 4 legs frame with left armrests and right armrest with anti-panic writing tablet.



KENTRA KIT 187/G
Panca 2 posti. 2 seats bench.



KENTRA KIT 187/GB
Panca 2 posti con braccioli. 2 seats bench with armrests.



KENTRA KIT 187/H
Panca 3 posti. 3 seats bench.



KENTRA KIT 187/HB
Panca 3 posti con braccioli. 3 seats bench with armrests.



KENTRA KIT 187/I
Panca 4 posti. 4 seats bench.



KENTRA KIT 187/IB
Panca 4 posti con braccioli. 4 seats bench with armrests.



KENTRA KIT 187/L
Panca 5 posti. 5 seats bench.



KENTRA KIT 187/LB
Panca 5 posti con braccioli. 5 seats bench with armrests.

KENTRA

Colori / Colours



NR
DARK



BC
WHITE



13
LIGHT GREY



46
CHERRY



31
BLUE

KENTRA

Colori telaio / Frame colours



FC
CHROMED



13
LIGHT GREY



NR
DARK

KENTRA

Colori braccioli / Armrests colours



13
LIGHT GREY



NR
DARK

KENTRA WOOD kit 193/A

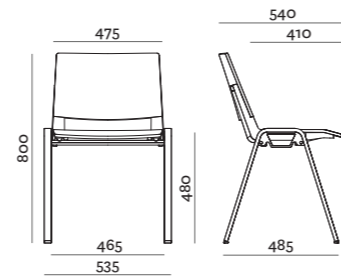
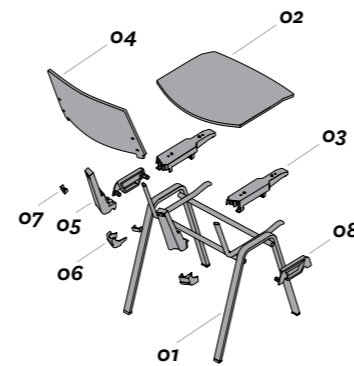
Sedia in plastica e legno 4 gambe / 4 legs plastic and wooden chair

- 01. 1x TLF112****
Telaio 4 gambe, tubo quadro con piedini assemblati.
4 legs frame, squared tube with assembled glides.
- 02. 1x SSL379AF5FA00**
Sedile in legno, finitura faggio.
Wooden seat, beech painted.
- 03. 2x ACP161****
Supporto per sedile in legno (1 dx o 1 sx).
Support for wooden seat (1 rh or 1 lh).
- 04. 1x SCL488AF5N1FA**
Schienale in legno, finitura faggio.
Wooden backrest, beech painted.
- 05. 2x ACP160****
Supporto per schienale in legno (1 dx o 1 sx).
Support for wooden backrest (1 rh or 1 lh).
- 06. 2x ACP048****
Carter in plastica per schienale (1 dx o 1 sx).
Backrest plastic cover (1 rh or 1 lh).
- 07. 2x ACP159NR**
Tappo nero per parte superiore schienale in legno
(1 dx o 1 sx). Blackrest upper wooden back cover cap
(1 rh or 1 lh).
- 08. 2x ACP049****
Distanziale laterale nero per impilabilità telaio.
Stacking side spacer.
- 09. 8x VTM0512BPXFB**
Vite HILO s/punta testa Ø 10,5mm TB+ DS 5x12mm,
brunita. HILO screw tip Ø 10,5mm truss head
5x12mm, bronzed.



Colori telaio / Frame colours

- FC CHROMED
- NR DARK
- 13 LIGHT GREY



KENTRA WOOD kit 193/B

Sedia in plastica e legno 4 gambe con braccioli / 4 legs plastic and wooden chair with armrests

- 01. 1x TLF112****
Telaio 4 gambe, tubo quadro con piedini assemblati.
4 legs frame, squared tube with assembled glides.
- 02. 1x SSL379AF5FA00**
Sedile in legno, finitura faggio.
Wooden seat, beech painted.
- 03. 2x ACP161****
Supporto per sedile in legno (1 dx o 1 sx).
Support for wooden seat (1 rh or 1 lh).
- 04. 1x SCL488AF5N1FA**
Schienale in legno, finitura faggio.
Wooden backrest, beech painted.
- 05. 2x ACP160****
Supporto per schienale in legno (1 dx o 1 sx).
Support for wooden backrest (1 rh or 1 lh).
- 06. 2x ACP048****
Carter in plastica per schienale (1 dx o 1 sx).
Backrest plastic cover (1 rh or 1 lh).
- 07. 2x ACP159NR**
Tappo nero per parte superiore schienale in legno
(1 dx o 1 sx). Black upper wooden backrest cover cap
(1 rh or 1 lh).
- 08. 2x BRV203A****
Bracciolo in nylon (1 dx o 1 sx). Nylon armrest
(1 rh or 1 lh).
- 09. 8x VTM0512BPXFB**
Vite Hilo s/punta testa Ø 10,5mm TB+ DS 5x12mm,
brunita. Hilo screw tip Ø 10,5mm truss head
5x12mm, bronzed.
- 10. 1x ACP132NE**
Confezione viti per assemblaggio coppia braccioli.
Screws kit for arms assembly.

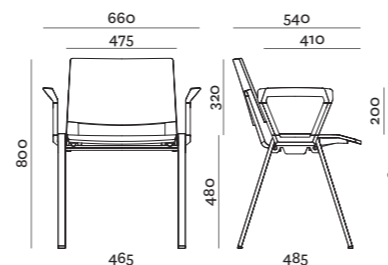
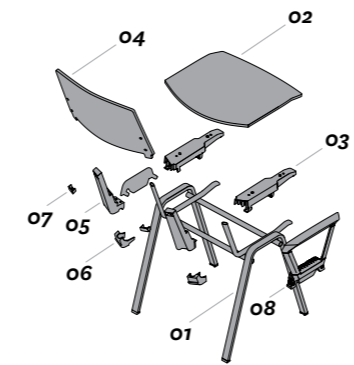


Colori telaio / Frame colours

- FC CHROMED
- NR DARK
- 13 LIGHT GREY

Colori braccioli / Armrests colours

- 13 LIGHT GREY
- NR DARK



KENTRA WOOD

Varianti / Variants



KENTRA WOOD KIT 193/G
Panca 2 posti.
2 seats bench.



KENTRA WOOD KIT 193/GB
Panca 2 posti con braccioli.
2 seats bench with armrests.



KENTRA WOOD KIT 193/H
Panca 3 posti.
3 seats bench.



KENTRA WOOD KIT 193/HB
Panca 3 posti con braccioli.
3 seats bench with armrests.



KENTRA WOOD KIT 193/I
Panca 4 posti.
4 seats bench.



KENTRA WOOD KIT 193/IB
Panca 4 posti con braccioli.
4 seats bench with armrests.



KENTRA WOOD KIT 193/L
Panca 5 posti.
5 seats bench.



KENTRA WOOD KIT 193/LB
Panca 5 posti con braccioli.
5 seats bench with armrests.



TRIBECA

TRIBECA

*“I’ve been to **Tribeca** twice now
and the vibrant connection it provides
to its New York audience is so special”*

Ira Sachs



design: Brado Factory



TRIBECA KIT 164/A
Sgabello girevole su base
fissa con poggia piedi.
*Swivel stool on fix base
with footrest.*



TRIBECA KIT 164/C
Sgabello su telaio slitta alto.
Stool on high skid frame.

TRIBECA kit 163/A

Sedia in policarbonato su base fissa / Polycarbonate chair on fix base

01. 1x BAM06239FC

Base rotonda in acciaio inox cromato. Chromed stainless steel round base.

02. 1x ALM60131FC

Alzata cromata a gas cilindrica 50x28x245mm, corsa 75mm, con 3 viti fissaggio base. Cylindrical chromed gas lift 50x28x245mm, run 75mm, with 3 fixing screws.

03. 1x TLF090FC

Copricolonna cromato h. 200mm. Chromed gas lift cover, h. 200mm.

04. 1x PSM029DPAL

Supporto in alluminio lucidato per scocca e sgabello con leva. Polished aluminum plate with lever for stool and shell.

05. 1x MSS009A**

Scocca. Shell.

06. 2x VTM0512BPBFZ

Vite TBEI M5x12mm, zincata. Screw hex recess truss head M5x12mm, zinc-plated.

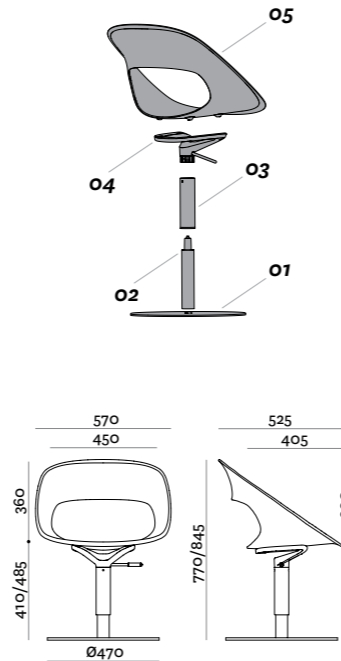
07. 4x VTM0516PSBFZ

Vite TPSEI M5x16mm, zincata. Screw bevelled hex recess flat head M5x16mm, zinc-plated.



Colori / Colours

- | | | | |
|--|---------------------------|--|---------------------------|
| | NE
AIR | | ML
SHINY BLUE |
| | MF
FUMÉE | | MY
SHINY YELLOW |
| | MA
SHINY ORANGE | | MU
SHINY FUCSIA |
| | MB
SHINY WHITE | | RC
SHINY CORAL |
| | MV
SHINY MINT | | |



TRIBECA kit 163/D

Sedia in schiumato da tappezzare su base fissa / Moulded foam chair on fix base, to be upholstered

01. 1x BAM06239FC

Base rotonda in acciaio inox cromato. Round base, chromed stainless steel.

02. 1x ALM60131FC

Alzata cromata a gas cilindrica 50x28x245mm, corsa 75mm, con 3 viti fissaggio base. Cylindrical chromed gas lift 50x28x245mm, run 75mm, with 3 fixing screws.

03. 1x TLF090FC

Copricolonna, 200mm, cromato. Gas lift cover, 200mm, chromed.

04. 1x PSM029DPAL

Supporto in alluminio lucidato con leva per scocca e sgabello. Polished aluminum plate with lever for stool and shell.

05. 1x MSI019A

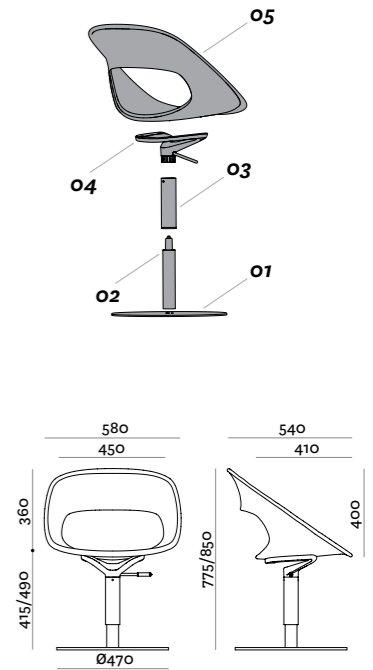
Scocca schiumata da tappezzare con inserto. Moulded foam shell for upholstered version.

06. 2x VTM0512BPBFZ

Vite TBEI M5x12mm, zincata. Screw hex recess truss head M5x12mm, zinc-plated.

07. 4x VTM0516PSBFZ

Vite TPSEI M5x16mm, zincata. Screw bevelled hex recess flat head M5x16mm, zinc-plated.



TRIBECA kit 163/B

Sedia 4 gambe in policarbonato / Polycarbonate chair 4 legs

01. 1x TLF087FC

Telaio cromato 4 gambe, piedini assemblati. 4 legs chromed frame, assembled glides.

02. 1x CSA013FC

Coprisaldatura cromato per telaio 4 gambe, ABS. Chromed welding cover for 4 legs frame, ABS.

03. 1x MSS009A**

Scocca. Shell.

04. 4x ACP787NE

Puntale protezione per scocche impilate. Accessory for stacking chairs.

05. 4x VTM0530BPBFZ

Vite TBEI M5x30mm, zincata. Screw hex recess truss head M5x30mm, zinc-plated.

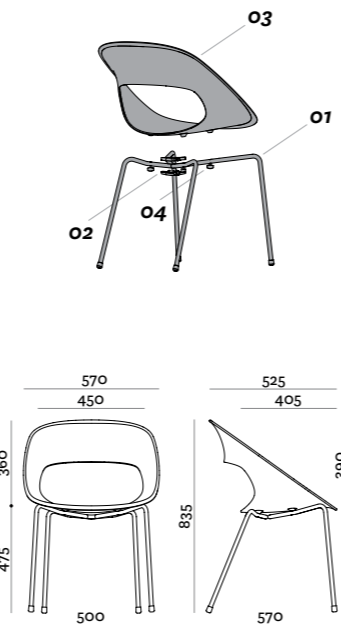


Colori / Colours

- | | | | |
|--|---------------------------|--|---------------------------|
| | NE
AIR | | ML
SHINY BLUE |
| | MF
FUMÉE | | MY
SHINY YELLOW |
| | MA
SHINY ORANGE | | MU
SHINY FUCSIA |
| | MB
SHINY WHITE | | RC
SHINY CORAL |
| | MV
SHINY MINT | | |

Colori telaio / Frame colours

- | | |
|--|----------------------|
| | FC
CHROMED |
|--|----------------------|



TRIBECA KIT 163/C

Telaio cromato su slitta. Chromed skid frame.

TRIBECA

Varianti / Variants

TRIBECA kit 164/A

Sgabello in policarbonato su base fissa e poggiapiedi / Polycarbonate stool on fixed base

01. 1x BAM06139FC

Base rotonda in acciaio inox cromato. Chromed stainless steel round base.

02. 1x ALM02031FC

Alzata cromata a gas cilindrica corsa 250mm, con 3 viti fissaggio base. Cylindrical chromed gas lift run 250mm, with 3 fixing screws.

03. 1x TLF089FC

Telaio cromato per sgabello a colonna con poggiapiedi. Chromed stool frame with footrest.

04. 1x PSM029DPAL

Supporto in alluminio lucidato per scocca e sgabello con leva. Polished aluminum plate with lever for stool and shell.

05. 1x SGS001A**

Sgabello. Stool.

06. 2x VTM0512BPBFZ

Vite TBEI M5x12mm, zincata. Screw hex recess truss head M5x12mm, zinc-plated.

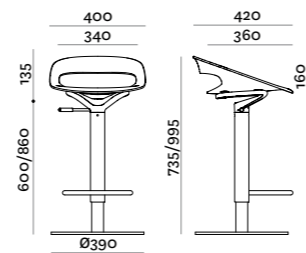
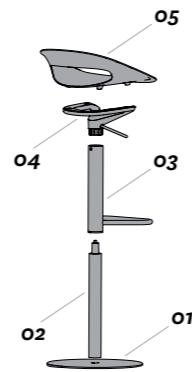
07. 4x VTM0516PSBFZ

Vite TPSEI M5x16mm, zincata. Screw bevelled hex recess flat head M5x16mm, zinc-plated.



Colori / Colours

- | | | | |
|--|---------------------------|--|---------------------------|
| | NE
AIR | | ML
SHINY BLUE |
| | MF
FUMÉE | | MY
SHINY YELLOW |
| | MA
SHINY ORANGE | | MU
SHINY FUCSIA |
| | MB
SHINY WHITE | | RC
SHINY CORAL |
| | MV
SHINY MINT | | |



TRIBECA

Colori / Colours



NE
AIR



MB
SHINY WHITE



MY
SHINY YELLOW



MF
FUMÉE



MV
SHINY MINT



MU
SHINY FUCSIA

TRIBECA kit 164/C

Sgabello in policarbonato su telaio a slitta / Polycarbonate stool on skid frame

01. 1x TLF091FCPA

Telaio sgabello alto a slitta, cromato. Stool high skid frame, chromed.

02. 4x ACP108NE

Piedino neutro antirotazione per telaio a slitta. Neutral anti-rotation glide for skid frame.

03. 1x SGS001A**

Sgabello. Stool.

04. 4x VTM0516PSBFZ

Vite TPSEI M5x16mm, zincata. Screw bevelled hex recess flat head M5x16mm, zinc-plated.

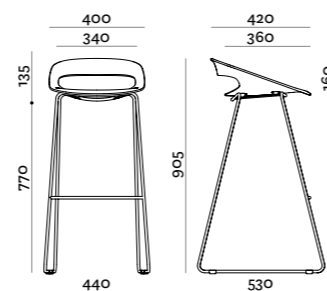


Colori / Colours

- | | | | |
|--|---------------------------|--|---------------------------|
| | NE
AIR | | ML
SHINY BLUE |
| | MF
FUMÉE | | MY
SHINY YELLOW |
| | MA
SHINY ORANGE | | MU
SHINY FUCSIA |
| | MB
SHINY WHITE | | RC
SHINY CORAL |
| | MV
SHINY MINT | | |

Colori telaio / Frame colours

- | | |
|--|----------------------|
| | FC
CHROMED |
|--|----------------------|



MA
SHINY ORANGE



ML
SHINY BLUE



RC
SHINY CORAL

ARI



ARI

“Ari ari ari haddippa...”

Bombay Rockers



design: Brado Factory

ARI kit 181/A

Sedia in plastica 4 gambe / 4 legs plastic chair

01. 1x TLF110FC

Telaio cromato 4 gambe con piedini.
4 legs chromed frame with glides.

02. 1x ACP061NE

Tappo neutro impilaggio scocca.
Neutral plastic stacking cap.

03. 1x MSW015A**

Scocca. Shell.

04. 4x VTM0530BPCFZ

Vite HILO TBL COMBI FR 5x30mm, zincata. HILO screw wide combo truss head eslok 5x30mm, zinc-plated.

05. 1x VTM0516BPCFB

Vite HILO testa Ø 10,5mm TB + 5x16mm, brunita.
HILO screw tip Ø 10,5mm truss head 5x16mm, bronzed.

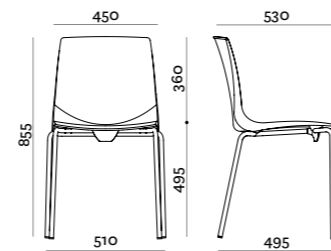
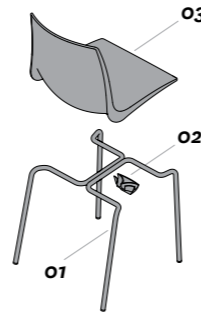


Colori carter / Carter colours

NR DARK	Q1 WINE
BC WHITE	13 LIGHT GREY
W2 PRUSSIAN	60 TOASTED
Q2 LAWN	72 ORANGE

Colori telaio / Frame colours

FC CHROMED



ARI kit 181/B

Sedia in plastica su slitta / Skid plastic chair

01. 1x TLF109FCA

Telaio a slitta cromato. Chromed skid frame.

02. 4x ACP840NE

Piedino neutro. Neutral glide.

03. 1x ACP066NR

Puntale nero in plastica per impilabilità.
Black plastic stacking cap.

04. 1x MSW015A**

Scocca. Shell.

05. 4x VTM0516BPCFZ

Vite HILO TBL COMBI FR 5x16mm, zincata.
HILO screw wide combo truss head eslok 5x16mm, zinc-plated.

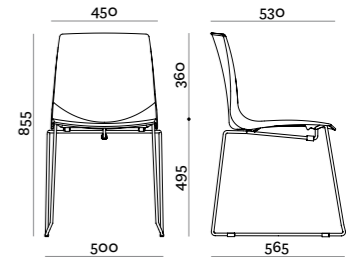
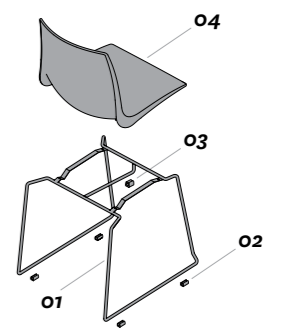


Colori carter / Carter colours

NR DARK	Q1 WINE
BC WHITE	13 LIGHT GREY
W2 PRUSSIAN	60 TOASTED
Q2 LAWN	72 ORANGE

Colori telaio / Frame colours

FC CHROMED



ARI

Varianti / Variants



ARI KIT 181/F
Scocca su base girevole
con ruote. *Swivel chair
with castors.*



ARI KIT 181/G
Panca 2 posti.
2 seats bench.



ARI KIT 181/H
Panca 3 posti.
3 seats bench.



ARI KIT 181/I
Panca 4 posti.
4 seats bench.



ARI KIT 181/L
Panca 5 posti.
5 seats bench.

ARI

Colori / Colours



NR
DARK



Q2
LAWN



60
TOASTED



BC
WHITE



Q1
WINE



72
ORANGE



W2
PRUSSIAN



13
LIGHT GREY



SMILE



SMILE

*“Don’t cry because it’s over.
Smile because it happened”*

Ira Sachs

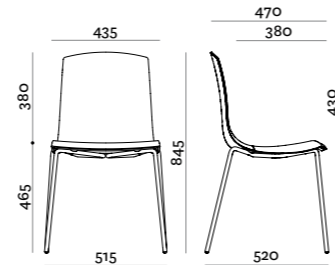
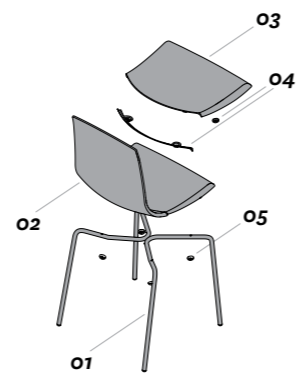


design: Brado Factory

SMILE kit 145/A

Sedia in polycarbonato 4 gambe / 4 legs polycarbonate chair

- 01. 1x TLF075FC**
Telaio cromato 4 gambe, piedini assemblati.
4 legs chromed frame, assembled glides.
- 02. 1x MSS008A****
Scocca. Shell.
- 03. 1x SDS145ADM****
Sedile. Seat.
- 04. 1x ACP768NE**
Guarnizione e rondelle. Spacers.
- 05. 4x ACP787NE**
Puntale protezione per scocche impilate.
Accessory for stacking chairs.
- 06. 4x VTM0535BPBFZ**
Vite TBEI M5x35mm, zincata. Screw hex recess
truss head M5x35mm, zinc-plated.



Colori sedile / Seat colours

- | | |
|--------------------|-------------------|
| NE
AIR | NR
SHINY BLACK |
| MF
FUMÉE | MB
SHINY WHITE |
| MA
SHINY ORANGE | MR
SHINY RED |

Colori scocca / Shell colours

- | | |
|--------------------|-------------------|
| NE
AIR | NR
SHINY BLACK |
| MA
SHINY ORANGE | MB
SHINY WHITE |

Colori telaio / Frame colours

- | |
|---------------|
| FC
CHROMED |
|---------------|

SMILE

Colori sedile / Seat colours



NE
AIR



MA
SHINY ORANGE



MB
SHINY WHITE



MF
FUMÉE



NR
SHINY BLACK

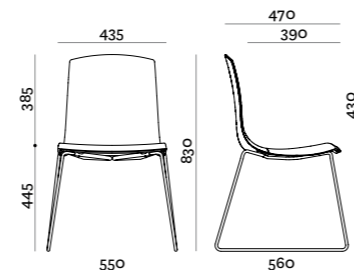
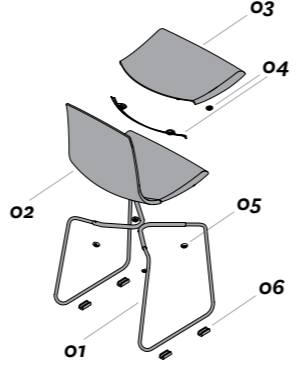


MR
SHINY RED

SMILE kit 145/B

Sedia in polycarbonato su slitta / Skid polycarbonate chair

- 01. 1x TLF085FC**
Telaio cromato a slitta. Skid chromed frame.
- 02. 1x MSS008A****
Scocca. Shell.
- 03. 1x SDS145ADM****
Sedile. Seat.
- 04. 1x ACP768NE**
Guarnizione e rondelle. Spacers.
- 05. 4x ACP787NE**
Puntale protezione per scocche impilate.
Accessory for stacking chairs.
- 06. 4x ACP840NE**
Piedino per telaio in filo, neutro.
Neutral glide for wire frame.
- 07. 4x VTM0535BPBFZ**
Vite TBEI M5x35mm, zincata. Screw hex recess
truss head M5x35mm, zinc-plated.



Colori sedile / Seat colours

- | | |
|--------------------|-------------------|
| NE
AIR | NR
SHINY BLACK |
| MF
FUMÉE | MB
SHINY WHITE |
| MA
SHINY ORANGE | MR
SHINY RED |

Colori scocca / Shell colours

- | | |
|--------------------|-------------------|
| NE
AIR | NR
SHINY BLACK |
| MA
SHINY ORANGE | MB
SHINY WHITE |

Colori telaio / Frame colours

- | |
|---------------|
| FC
CHROMED |
|---------------|

SMILE

Colori scocca / Shell colours



NE
AIR



NR
SHINY BLACK



MB
SHINY WHITE



MA
SHINY ORANGE

FRAME



FRAME

*“What immortal hand or eye
could **frame** thy fearful symmetry?”*

William Blake



project: Brado Factory

FRAME kit 064A

Sedia in plastica pieghevole / Plastic folding chair

01. 1x SEK001A**FC
Sedia con telaio cromato.
Chair with chromed frame.



Colori / Colours

● NR
DARK

● 31
BLUE

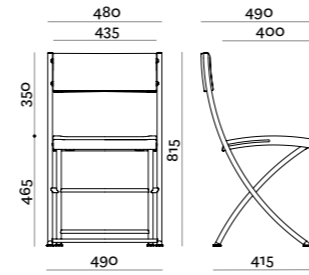
● 46
CHERRY

● 08
DARK GREY

● 42
IVORY

Colori telaio / Frame colours

● FC
CHROMED



NR
DARK



42
IVORY



08
DARK GREY



46
CHERRY



31
BLUE

FLY



FLY

*“Is my name Talbot? And am I your son?
And shall I **fly**?”*

William Shakespeare



design: Brado Factory

FLY kit 156/B

Sedia in plastica 4 gambe con 2 ruote frontali / 4 legs plastic chair with 2 front castors

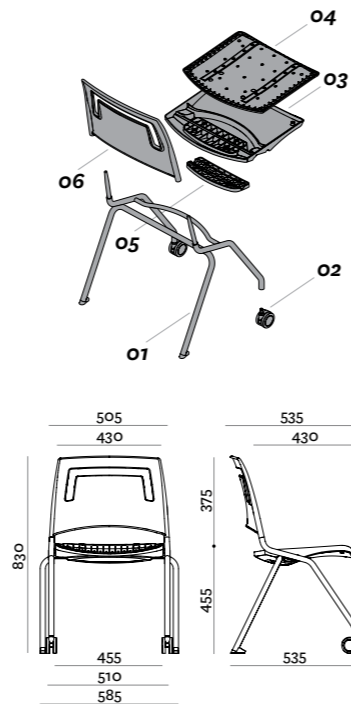
- 01. 1x TLF081FCB**
Telaio cromato 4 gambe, 2 piedini posteriori assemblati, 2 ruote anteriori. 4 legs chromed frame, 2 assembled back glides, 2 front castors.
- 02. 2x RUP0051NR**
Ruota nera libera. Free black castor.
- 03. 1x SSP339ANR**
Sottosedile nero. Black outer seat.
- 04. 1x SDZ153ADN**
Sedile con barre, 4 borchie. Seat with metal bars, 4 t-nuts.
- 05. 1x ACY791NR**
Fermo bloccaggio sedile. Blocking cover for seat.
- 06. 1x SCP422ANR**
Schienale nero. Black backrest.
- 07. 1x ACP477NR**
Kit per assemblaggio sedia, plastiche nere. Assembly kit, screws and black plastic covers.



Colori / Colours



Colori telaio / Frame colours



FLY kit 156/I

Sedia in plastica 4 gambe con braccioli saldati / 4 legs plastic chair with welded armrests

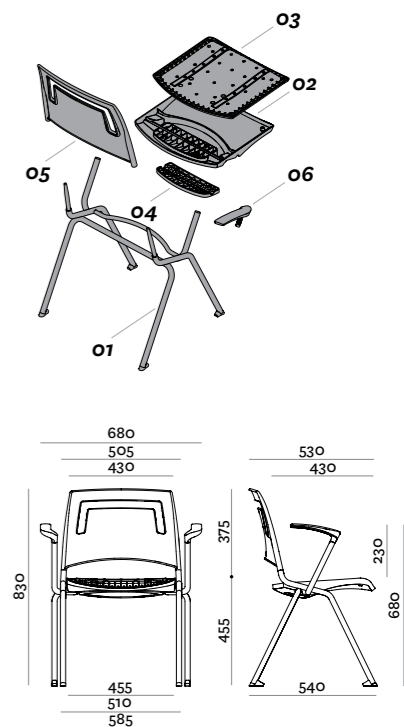
- 01. 1x TLF111FCB**
Telaio cromato 4 gambe con braccioli saldati, piedini assemblati. 4 legs chromed frame with welded arms, assembled glides.
- 02. 1x SSP339ANR**
Sottosedile nero. Black outer seat.
- 03. 1x SDZ153ADN**
Sedile con barre, 4 borchie. Seat with metal bars, 4 t-nuts.
- 04. 1x ACY791NR**
Fermo bloccaggio sedile. Blocking cover for seat.
- 05. 1x SCP422ANR**
Schienale nero. Black backrest.
- 06. 2x BRY178A00ANR**
Pad bracciolo. Pad for armrest.
- 07. 2x ACM089FG**
Spina a spirale per bracciolo. Spiral insert for armrests.
- 08. 1x ACP477NR**
Kit per assemblaggio. Assembly kit.



Colori / Colours



Colori telaio / Frame colours



FLY kit 156/E

Sedia in plastica 4 gambe, con braccioli e agganci laterali, sedile schiumato / 4 legs plastic chair with armrests and side-linking, moulded seat foam

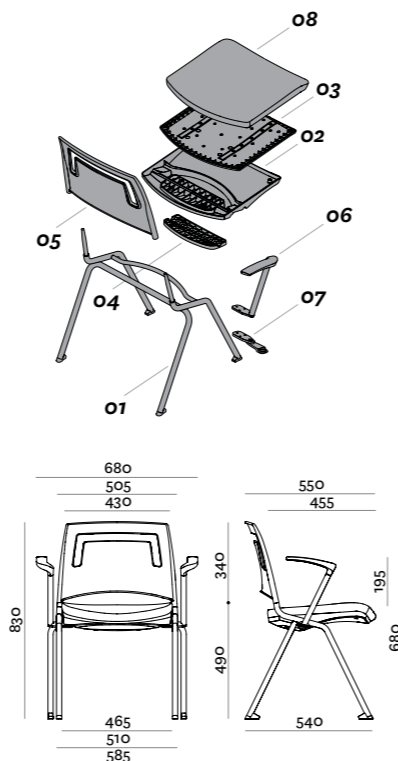
- 01. 1x TLF081FCB**
Telaio cromato 4 gambe, piedini assemblati. 4 legs chromed frame, assembled glides.
- 02. 1x SSP339ANR**
Sottosedile nero. Black outer seat.
- 03. 1x SDZ153ADN**
Sedile con barre, 4 borchie. Seat with metal bars, 4 t-nuts.
- 04. 1x ACY791NR**
Fermo bloccaggio sedile. Blocking cover for seat.
- 05. 1x SCP422ANR**
Schienale nero. Black backrest.
- 06. 1x BRY278A32ANR**
Kit 2 braccioli con coprisaldatura e viti. Kit 2 armrests, with screws and welding covers.
- 07. 1x ACP826NR**
Kit agganci con viteria. Hook kit with screws.
- 08. 1x SD1134A**
Sedile schiumato. Seat foam.
- 09. 1x ACP477NR**
Kit per assemblaggio. Assembly kit.



Colori / Colours



Colori telaio / Frame colours



FLY

Varianti / Variants



FLY KIT 156/A
Telaio 4 gambe.
4 legs frame.



FLY KIT 156/F
Telaio 4 gambe, agganci laterali, sedile schiumato.
4 legs frame, side hooks, moulded seat foam.



FLY KIT 156/H
Telaio 4 gambe con bracciolo dx e tavoletta antipanico, sedile schiumato. 4 legs frame, right armrest with anti-panic writing tablet, moulded seat foam.



FLY KIT 156/L
Telaio 4 gambe, 2 ruote frontali, braccioli saldati.
4 legs frame with welded armrests and 2 frontal castors.

FLY kit 162 NET/B

Sedia in plastica 4 gambe con 2 ruote frontali, schienale rete / 4 legs plastic chair with 2 front castors, mesh backrest

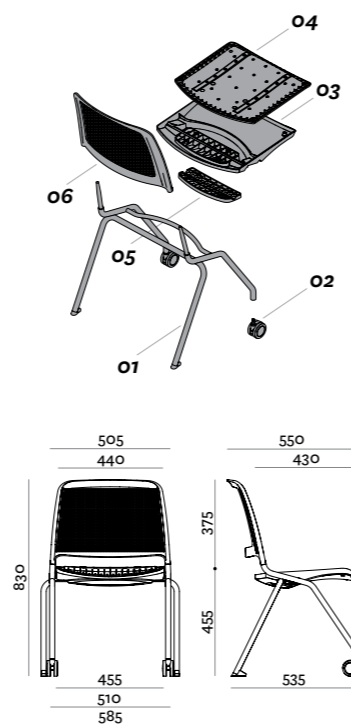
- 01. 1x TLF081FCR**
Telaio cromato 4 gambe, 2 piedini posteriori assemblati, 2 ruote anteriori. 4 legs chromed frame, 2 assembled back glides, 2 front castors.
- 02. 2x RUP0051NR**
Ruota libera nera. Free black castor.
- 03. 1x SSP339ANR**
Sottosedile nero. Black outer seat.
- 04. 1x SDZ153ADN**
Sedile con barre, 4 borchie. Seat with metal bars, 4 t-nuts.
- 05. 1x ACY791NR**
Fermo bloccaggio sedile. Blocking cover for seat.
- 06. 1x SCY442XNR**
Schienale nero con rete assemblata. Black backrest with assembled mesh.
- 07. 1x ACP477NR**
Kit per assemblaggio. Assembly kit.



Colori / Colours



Colori telaio / Frame colours



FLY kit 162 NET/I

Sedia in plastica 4 gambe con braccioli saldati, schienale rete / 4 legs plastic chair with welded armrests, mesh backrest

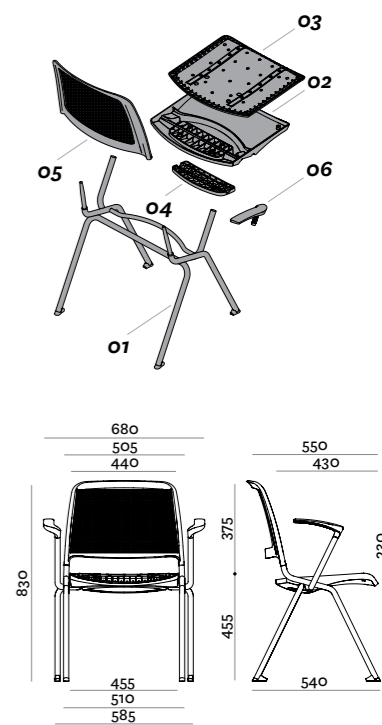
- 01. 1x TLF11FCB**
Telaio cromato 4 gambe con braccioli saldati, piedini assemblati. 4 legs chromed frame with welded arms, assembled glides.
- 02. 1x SSP339ANR**
Sottosedile nero. Black outer seat.
- 03. 1x SDZ153ADN**
Sedile con barre, 4 borchie. Seat with metal bars, 4 t-nuts.
- 04. 1x ACY791NR**
Fermo bloccaggio nero sedile. Black Blocking cover for seat.
- 05. 1x SCY442XNR**
Schienale nero con rete assemblata. Black backrest with assembled mesh.
- 06. 2x BRY178A00ANR**
Pad bracciolo. Pad for armrest.
- 07. 2x ACM089FG**
Spina a spirale per bracciolo, grezzo. Spiral insert for arm, no finish.
- 08. 1x ACP477NR**
Kit per assemblaggio sedia, plastiche nere. Assembly kit, screws and black plastic covers.



Colori / Colours



Colori telaio / Frame colours



FLY kit 162 NET/E

Sedia in plastica 4 gambe, con braccioli ed agganci laterali, sedile schiumato, schienale rete / 4 legs plastic chair with armrests and side hooks, moulded seat foam, mesh backrest

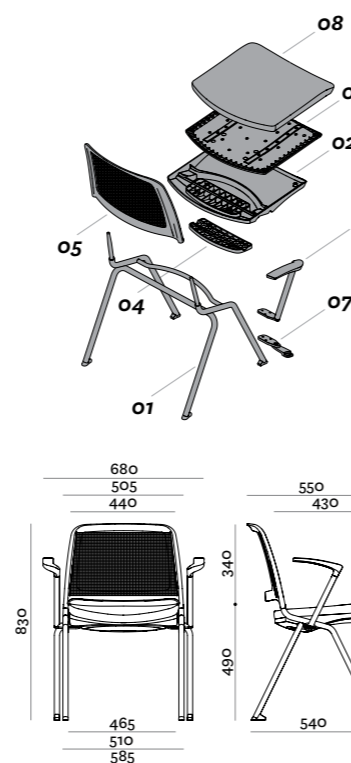
- 01. 1x TLF081FCB**
Telaio cromato 4 gambe, piedini assemblati. 4 legs chromed frame, assembled glides.
- 02. 1x SSP339ANR**
Sottosedile nero. Black outer seat.
- 03. 1x SDZ153ADN**
Sedile con barre, 4 borchie. Seat with metal bars, 4 t-nuts.
- 04. 1x ACY791NR**
Fermo bloccaggio nero sedile. Black blocking cover for seat.
- 05. 1x SCY442XNR**
Schienale nero con rete assemblata. Black backrest with assembled mesh.
- 06. 1x BRY278A32ANR**
Kit 2 braccioli con coprisaldatura e viti, plastiche nere. Kit 2 armrests with screws and welding covers, black plastics.
- 07. 1x ACP826NR**
Kit agganci con viteria. Hook kit with screws.
- 08. 1x SDI134A**
Sedile schiumato. Seat foam.
- 09. 1x ACP477NR**
Kit per assemblaggio. Assembly kit.



Colori / Colours



Colori telaio / Frame colours



FLY NET

Varianti / Variants



FLY NET KIT 162/A
Telaio 4 gambe, versione rete. 4 legs frame, mesh backrest.



FLY NET KIT 162/F
Telaio 4 gambe, agganci laterali, sedile schiumato, versione rete. 4 legs frame, side hooks, moulded seat foam, mesh backrest.



FLY NET KIT 162/H
Telaio 4 gambe con bracciolo dx e tavoletta antipanico, sedile schiumato, versione rete. 4 legs frame, right armrest with anti-panic writing tablet, moulded seat foam, mesh backrest.



FLY NET KIT 162/L
Telaio 4 gambe, 2 ruote frontali, braccioli saldati, versione rete. 4 legs frame with welded armrests and 2 frontal castors, mesh backrest.

NEST



FIELDGATE
MANSIONS
BLOCK No 16
FLATS Nos 113, 120



NEST

*“A robin feathering his **nest**
has very little time to rest”*

Mary Poppins

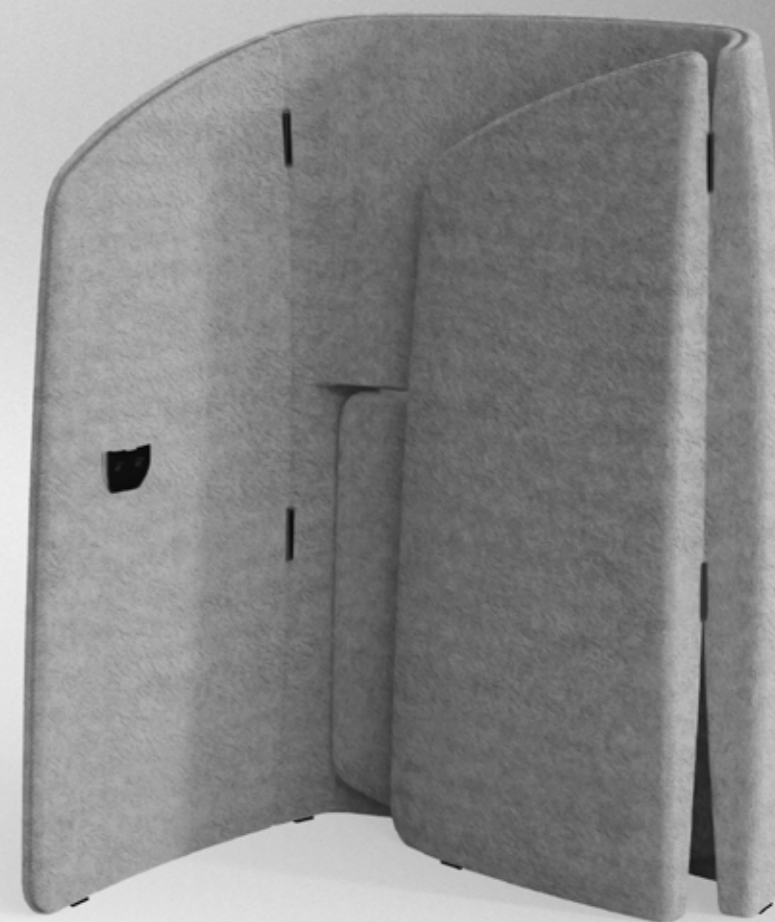


design: Orlandini Design



NEST KIT 227/G
Poltroncina da tappezzare
su base 4 razze piccola in
alluminio con piedini,
supporto alto, girevole 360°.
*Armchair to be upholstered,
on 4 stars small aluminium
base with glides, high seat
support, 360° swivel.*

NEST KIT 227/B
Pozzetto versione
pieghevole da tappezzare,
con piedini.
*Foldable Nest tub chair to
be upholstered, with glides.*



NEST kit 227/A

Pozzetto fisso con piedini, da tappezzare / Fixed tub chair to be upholstered, with glides

01. 1x PRI003A

Pozzetto neutro fisso da tappezzare. Neutral fixed tub chair to be upholstered.

02. 4x PDY006AGH

Piedino grigio. Grey glide.

03. 4x PDT006

Feltro nero. Black felt.

Opzioni / Options

4x RUP0163NR

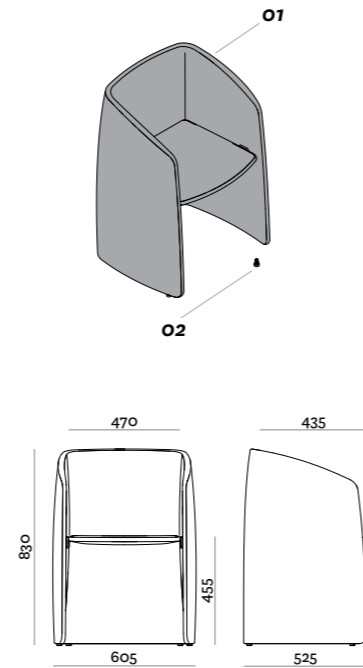
Ruota libera in gomma, senza perno, grigio/nera. Grey and black rubber castor, no pin.

4x ACM309FZ

Perno per ruota RUP0 163NR, zincato. Pin for castor RUP0 163NR, zinc-plated.

1x CFP012ANR

Confezione 2 ruote e 2 piedini. 2 castors and 2 glides pack.



NEST kit 227/B

Pozzetto pieghevole con piedini, da tappezzare / Folding tub chair with glides, to be upholstered

01. 1x PRI005A

Pozzetto neutro pieghevole da tappezzare. Neutral folding tub chair, to be upholstered.

02. 4x PDY006AGH

Piedino grigio. Grey glide.

03. 4x PDT006

Feltro nero. Black felt.

Opzioni / Options

4x RUP0163NR

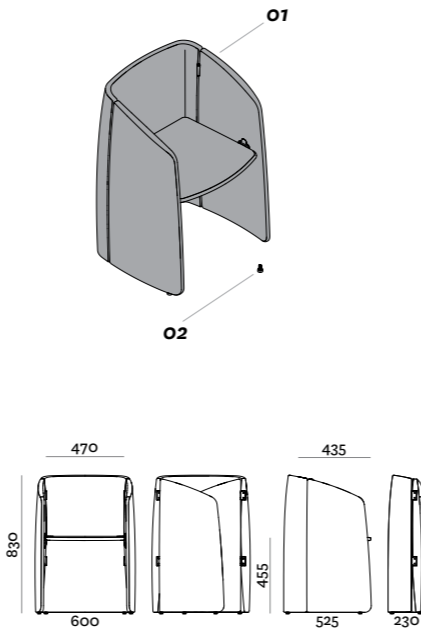
Ruota libera in gomma, senza perno, grigio/nera. Grey and black rubber castor, no pin.

4x ACM309FZ

Perno per ruota RUP0 163NR, zincato. Pin for castor RUP0 163NR, zinc-plated.

1x CFP012ANR

Confezione 2 ruote e 2 piedini. 2 castors and 2 castors pack.



NEST kit 227/F

Poltroncina girevole su base piramidale, da tappezzare / Swivel armchair on pyramidal base, to be upholstered

01. 1x BAM07501AL

Base alluminio piramidale. Aluminium pyramidal base.

02. 4x PDY006AGH

Piedino grigio. Grey Glide.

03. 1x ACM267FZB

Adattatore girevole 360° per base piramidale (con una spina). 360° swivel adaptor for pyramidal base (with one plug).

04. 1x ACY299GH

Tappo sottobase per adattatore fisso e girevole. Swivel and fixed adaptor lower cap.

05. 1x PSM13913AL

Supporto in alluminio basso. Aluminium low seat support.

06. 1x PRI008A

Poltroncina da tappezzare. Armchair, to be upholstered.

07. 4x VTM0625PSBFZ

Vite TPSEI M6x25mm, zincata. Screw bevelled hex recess flat head M6x25mm, zinc-plated.

08. 1x VTM0620PSBFZ

Vite TPSEI M6x20mm, brunita. Screw bevelled hex recess flat head M6x20mm, bronzed.

Opzioni / Options

4x PDT006

Feltro nero. Black felt.

1x ACM267FZC

Adattatore fisso per base piramidale. Fixed adaptor for pyramidal base.

1x ACM267FZA

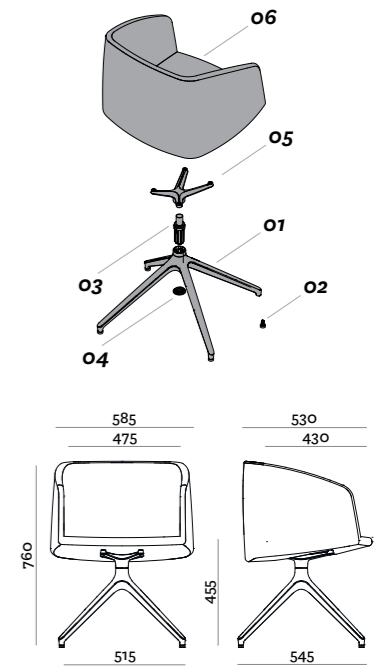
Adattatore autoallineante per base piramidale. Auto-return adaptor for pyramidal base.

1x ACY268GH

Cuffia sottobase per adattatore autoallineante. Auto-return adaptor lower cap.

1x VTM0610PSBFZ

Vite TPSEI M6x10mm per ACY268GH, zincata. Screw bevelled hex recess flat head M6x10mm for ACY268GH, zinc-plated.



NEST kit 227/C

Poltroncina su slitta, da tappezzare / Skid armchair, to be upholstered

01. 1x TLF145FC

Telaio a slitta cromato. *Chromed skid frame.*

02. 4x PDA001ANE

Piedino neutro antirotazione per telaio a slitta. *Neutral anti-rotation glide for skid frame.*

03. 1x PR1008A

Poltroncina da tappezzare. *Armchair to be upholstered.*

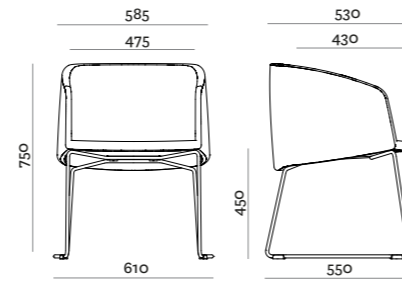
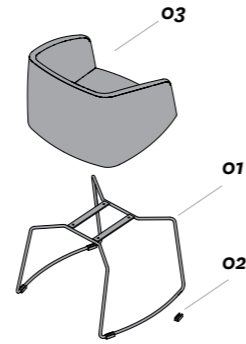
04. 4x VTMo62oPSBFZ

Vite TPSEI M6x20mm, zincata. *Screw bevelled hex recess flat head M6x20mm, zinc-plated.*

Opzioni / Options

4x PDTo01

Feltro per piedino. *Glide felt.*



NEST

Varianti / Variants



NEST KIT 227/G

Poltroncina da tappezzare su base 4 razze piccola in alluminio con piedini, supporto alto, girevole 360°. *Armchair to be upholstered on 4 stars small aluminium base with glides, high seat support, 360° swivel.*

MR. JONES



MR. JONES



MR. JONES

*“**Mr. Jones** will stick around,
he’s everybody’s friend”*

Talking Heads



design: Orlandini Design





MR. JONES KIT 228/G
Poltroncina da tappezzare
su base 4 razze grande in
alluminio con piedini,
supporto basso, girevole 360°.
*Armchair to be upholstered on
4 stars large aluminium base
with glides, low support,
360° swivel.*

MR. JONES KIT 228/B
Divano 2 posti da
tappezzare.
*2 places sofa to be
upholstered.*



MR.JONES kit 228/A

Divano 1 posto da tappezzare / 1 seat sofa to be upholstered

01. 1x DVI005A

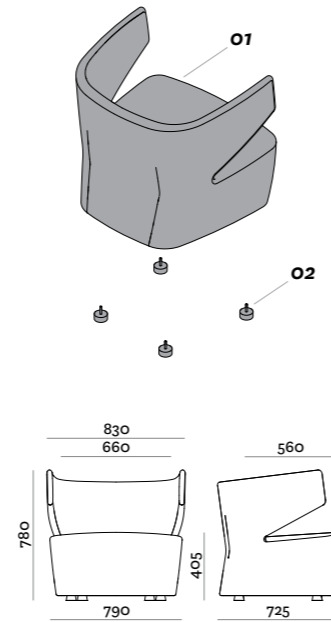
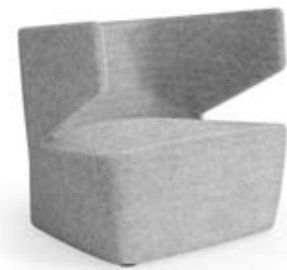
Divano 1 posto da tappezzare. 1 seat sofa, to be upholstered.

02. 4x PDY014AG3

Piedino grigio regolabile. Grey adjustable glide.

03. 4x PDT014

Feltro per piedini. Glides felt.



MR.JONES kit 228/G

Poltroncina girevole da tappezzare / Swivel armchair to be upholstered

01. 1x BAM07701AL

Base grande 4 razze in alluminio. 4 stars aluminium large base.

02. 4x PDY006AGH

Piedini grigio. Grey glide.

03. 1x ACM278FC

Colonna cromata girevole 360° bassa. Chromed 360° swivel short column.

04. 1x PSM13913AL

Supporto basso in alluminio. Aluminium low seat support.

05. 1x PRI002A

Poltroncina da tappezzare. Armchair to be upholstered.

06. 4x VTMO625PSBFZ

Vite TPSEI M6x25mm, zincata. Screw bevelled hex recess flat head M6x25mm, zinc-plated.

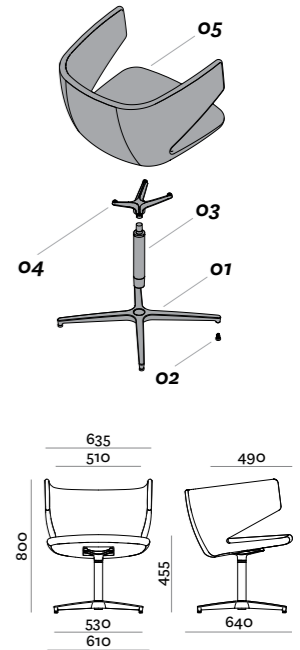
Opzioni / Options

4x PDT006

Feltro nero. Black felt.

1x ACM281FC

Colonna cromata girevole bassa autoallineante. Chromed auto-return short swivel column.



MR.JONES kit 228/B

Divano 2 posti da tappezzare / 2 seats sofa to be upholstered

01. 1x DVI001A

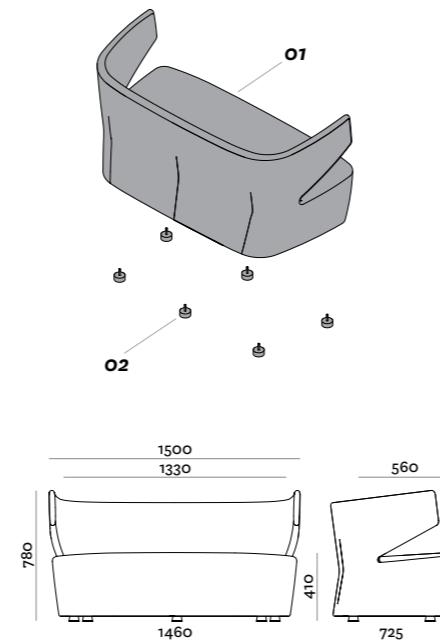
Divano 2 posti da tappezzare. 2 seats sofa, to be upholstered.

02. 6x PDY014AG3

Piedino grigio regolabile. Grey adjustable glide.

03. 6x PDT014

Feltro per piedini. Glides felt.



MR.JONES

Varianti / Variants



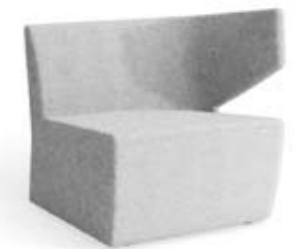
MR.JONES KIT 228/MD

Modulo con bracciolo destro per composizioni da tappezzare. Modular right arm to be upholstered.



MR.JONES KIT 228/MI

Modulo intermedio per composizioni da tappezzare. Middle modular to be upholstered.



MR.JONES KIT 228/MS

Modulo con bracciolo sinistro per composizioni da tappezzare. Modular left arm to be upholstered.



MR.JONES KIT 228/MA

Modulo angolo aperto per composizioni da tappezzare. Modular open angle to be upholstered.



MR.JONES KIT 228/MC

Modulo angolo chiuso per composizioni da tappezzare. Modular closed angle to be upholstered.



MR.JONES KIT 228/P

Pouf da tappezzare. Pouf to be upholstered.



**BREAK APART
THE CORE OF
CERTAINTY!**



ROMPI IL NUCLEO DELLA CERTEZZA!



**WE ARE ALL
MADE OF
CONTRASTS!**



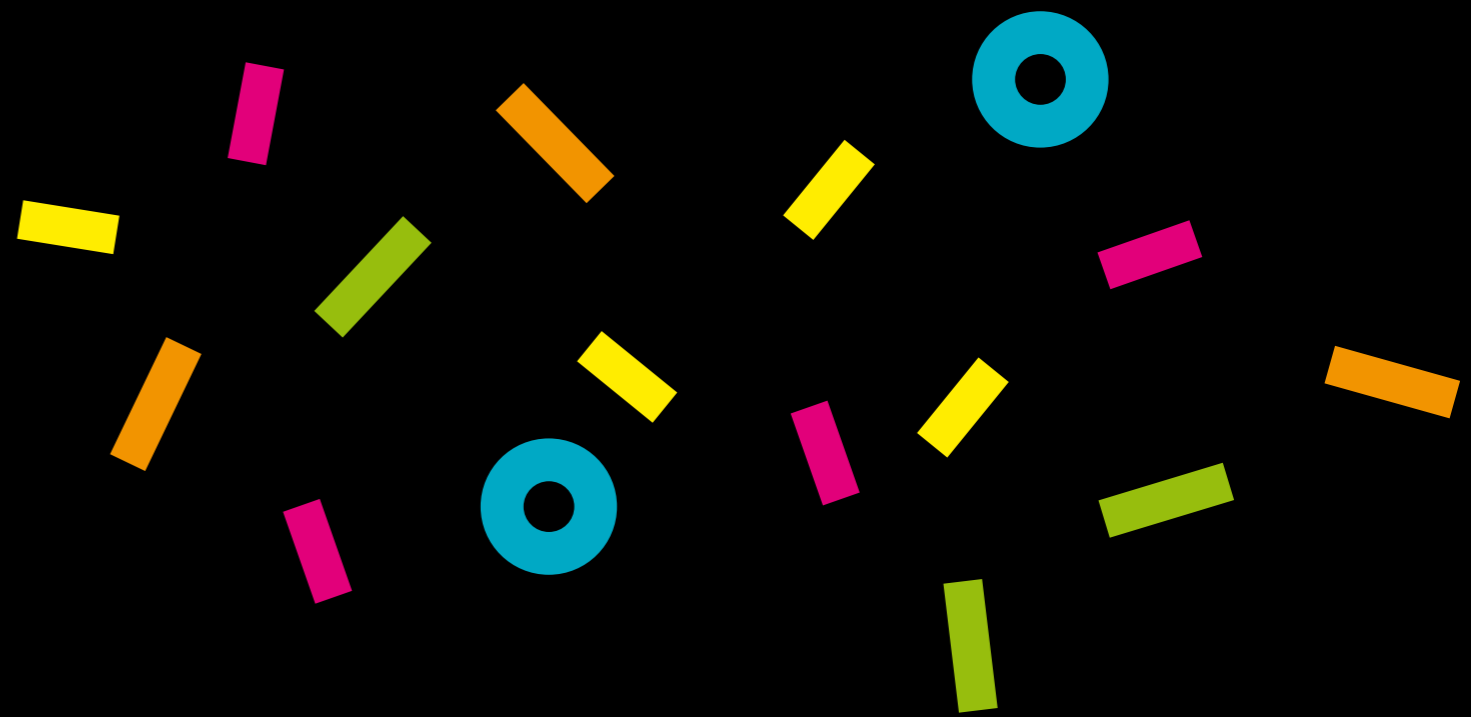
SIAMO FATTI DI CONTRASTI!



**THE CONTRACT
WORLD
WILL NEVER
BE THE SAME**

IL MONDO DEL CONTRACT NON SARÀ MAI PIÙ LO STESSO

THE DESIGNERS



XIMO ROCA

Esperto tecnico in disegno industriale. Membro di ADCV (Asociación de Diseñadores de la Comunidad Valenciana), BEDA (The Bureau of European Design Associations) e di ADP (Asociación de Dissenyadors Professionals). Docente alla Scuola di Disegno dell'Università "Cardenal Herrera" CEU. Da diversi anni gestisce e coordina il Dipartimento di Design di varie note aziende.

Nel 1989 crea il suo Studio di Design, Ximo Roca, offrendo servizi di design globale, di prodotto, grafico e d'interni. Le sue opere sono state pubblicate nelle più riconosciute riviste e libri di design nazionali e internazionali. Ha partecipato a numerose esposizioni in Spagna e all'estero. Designato in varie convocazioni per il Premio Nazionale di Disegno. I suoi lavori sono stati selezionati da note aziende quali Andreu World, Chueca e Bonestil, premiate con il Premio "Valencia Innovación de Diseño Industrial", Premi FIM al Design di interni, DuPont™, Premio Corian® Design per la casa 2006. Finalista Premio AEPD di Design e Selezione ADI FAD 2007.

A marzo 2007 ottiene i Certificati di Registro di Impresa e di Gestione Ambientale acquisendo il diritto di usare il marchio AENOR dei suddetti certificati e confermando così la conformità del suo sistema di gestione alle norme UNE-EN ISO 9001:2000 e UNE-EN ISO 14001:2004.

Technical expert in industrial design. ADCV (Asociación de Diseñadores de la Comunidad Valenciana), BEDA (The Bureau of European Design Associations) and ADP (Asociación de Dissenyadors Professionals) member. Professor at the Designing School of the University "Cardenal Herrera" CEU. As a professional designer he manages the Design Department at several well-known companies.

In 1989 he creates his own design studio, Ximo Roca Design. They offer global design services, management, product design, line art and interior design for light architecture. His art works have been published in the most important national and international design magazines and books. He has taken part in many exhibitions inside our country and abroad. His art works have been chosen for the CDIM Design Prizes. He has been nominated in different sessions for the National Design Contest. His design works have been selected by Andreu World, Chueca and Bonestil companies and these ones have been granted with the Industrial Design & Innovation Valencia Prize, FIM Prizes for the Interior Design, 2006 Corian® Design for Home Settings, finalists at the AEPD Design Prizes and ADI FAD 2007 Selection.

In March 2007 he was granted with the Certificate "Enterprise Registered" and Environmental Management so as the right to use AENOR distinctive mark in those certificates. This fact proves the conformity of his Management System to the UNE-EN ISO 9001:2000 Norm and UNE-EN ISO 14001:2004.

ORLANDINI DESIGN

Orlandini Design è la nuova firma creata da Paolo Orlandini. Nel 2009 la sua lunga collaborazione (iniziata nel 1968) con Roberto Lucci si è conclusa e adesso, con un giovane team di creativi e designer, continua il proprio lavoro come Orlandini Design. Uno studio in cui la lunga esperienza nella professione si incontra con una più acuta attenzione verso le nuove tendenze, i nuovi materiali e le nuove tecnologie.

Paolo Orlandini è tutor presso il Politecnico di Milano, l'Istituto Europeo di Design e lo IUAV di Venezia. Grazie alla sua attività didattica lo studio è continuamente alimentato con nuove idee ed energie creative. Orlandini Design è anche una pagina Facebook in cui cerchiamo di svelare i retroscena e gli aneddoti legati ai progetti più importanti dello studio. Paolo Orlandini è nato a Grosseto nel 1941. Si è laureato presso Politecnico di Milano ed ha lavorato per parecchi anni insieme a Marco Zanuso e Richard Sapper.

La cifra stilistica dei prodotti Orlandini Design è soprattutto la grande pulizia formale che vuol dire progettare soluzioni tecniche che rendano il prodotto economico e affidabile ed anche con un occhio ai problemi della produzione. Un altro punto importante è la personalizzazione programmata, ovvero progettare l'oggetto già in previsione di ipotetiche modifiche ad hoc su richiesta del cliente. Questo è un approccio progettuale innovativo che aiuta le aziende a vendere meglio, evitando la corsa mortale al prezzo più basso. Fra i premi ricevuti più recenti: "Best of Neocon" (Chicago 2000, 2006, 2008, 2010); "Grand Prix de l'Innovation" (Paris 2000, 2005), Premio Dedalo Minosse (Vicenza 2006), Chicago Athenaeum "Good Design Award" (Chicago 1995, 2003, 2004, 2005, 2009, 2012, 2013); Interior Design Best of Year 2013.

Orlandini Design is a new reality created by Paolo Orlandini. In 2009 its long partnership with Roberto Lucci (started in 1968) has dissolved and now, with a young team of creative designers, continues its work as Orlandini Design. A studio where a long experience in design business has merged with a smart attention to new trends and technologies.

Paolo Orlandini is tutor at Politecnico of Milano, Istituto Europeo di Design, IUAV Venice university. Thanks to its teaching the studio is always powered by new ideas and new energy. Orlandini Design is also a facebook page with a lot of tricks and backstages of the main projects. Paolo Orlandini was born in Grosseto, Italy, in 1941 and graduated in architecture at Politecnico of Milano; he has worked for several years with Marco Zanuso and Richard Sapper.

In the designs of Orlandini Design simplicity is the most remarkable feature. Simplicity means designing simple technical solutions that make the product both economical and reliable. It also means designing with an eye to the manufacturing problems. Planned Customization is another important feature; products are designed with the planned potential to be personalized and modified, following the market demands. It is an innovative design method that helps manufacturers overcome price based competition. Planned customization applied to design generates a wide set of competitive features. Among the latest prizes there are: "Best of Neocon" (Chicago 2000, 2006, 2008, 2010); "Grand Prix de l'Innovation" (Paris 2000, 2005), Premio Dedalo Minosse (Vicenza 2006), Chicago Athenaeum "Good Design Award" (Chicago 1995, 2003, 2004, 2005, 2009, 2012, 2013); Interior Design Best of Year 2013.

CAPPELLIN | ACTIVA

Activa nasce dalla collaborazione tra Luigi Cappellin e Gianni Rosa che con passione ed entusiasmo seguono la via del “progettare semplice e sicuro” ricercando costantemente nuove forme, nuovi materiali e tecnologie produttive all'avanguardia nel rispetto dell'ambiente.

Activa is a collaboration between Luigi Cappellin and Gianni Rosa that with passion and enthusiasm follow the path of “simple and secure designing”, constantly seeking new forms, new materials and production technologies in the forefront, while respecting the environment.

SCAGNELLATO | FERRARESE

Paolo Scagnellato nasce a Padova nel 1952 e si laurea in Architettura a Venezia nel 1976 con Aldo Rossi quale relatore. Dal 1977 esercita la libera professione. Jeremiah Ferrarese nasce a Padova nel 1980 e si laurea in Architettura all'istituto IUAV di Venezia nel 2006. Nel 2005 inizia ad occuparsi di industrial design. Dal 2011 firmano insieme i loro progetti.

“Cerchiamo di ricordarci sempre che il nostro mestiere è fatto di tanto lavoro, metodo ed esperienza, tuttavia il progetto dipende sempre da un'intuizione”.

Paolo Scagnellato was born in Padua in 1952 and graduated in architecture in Venice in 1976 with lecturer Aldo Rossi. From 1977 he wields the profession. Jeremiah Ferrarese was born in Padua in 1980 and graduated in architecture from the IUAV University of Venice in 2006. In 2005 he began to deal with industrial design. Since 2011 they sign their projects together.

“We always try to keep in mind that our job is made by hard work, the creative process and experience, however every project depends on a hunch”.

BRADO FACTORY

La forza immaginativa dei designer trova la massima possibilità di applicazione nell'interfaccia con Brado Factory, laboratorio di sviluppo tecnico che traduce sogni, esperienze, intuizioni nella realtà concreta del prodotto/seduta. Un serrato confronto con il progettista innesca processi collaborativi che vanno dallo scambio più libero alla verifica tecnica più rigorosa. Un percorso fatto di ipotesi mai smentite, in un contesto mentale aperto dove ogni contributo trova giusto valore: esattamente come in seguito i singoli componenti della seduta, andranno ad innestarsi in un sistema armonico.

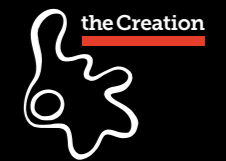
Ben al di là del semplice ruolo di ufficio tecnico, Brado Factory è una filosofia: cuore pulsante dell'operatività aziendale, centro di ricerca su materiali e soluzioni avanzate, attivatore di concezioni per il mondo della seduta che verrà. Brado Factory assicura inoltre una perfetta interazione con il cliente, nel caso voglia realizzare produzioni personalizzate: instaurando un flusso di collaborazione dinamico e continuo attraverso cui proporre, suggerire (oppure semplicemente assecondare) le idee necessarie al risultato finale. In questa relazione, Brado Factory mette in campo unicamente i contributi che il cliente richiede, parziali (se ha un proprio designer) o integrali (creativi, poi tecnico-produttivi).

Aderendo in modo totale alle esigenze, Brado Factory attiva una vera e propria partnership: fatto testimoniato da decine e decine di collaborazioni, con clienti di ogni parte del mondo. Parlarne con voi, in qualsiasi momento vogliate, sarà sempre un piacere.

The creative strength of designers finds its ideal outlet at Brado Factory, the technical development lab that makes dreams, experiences, and insights into a concrete reality in the form of a product/chair. A close collaboration with designers is the foundation of the development process, which ranges from the liberal sharing of ideas to rigorous technical controls. It's a process of unpredictable assumptions made with an open mind, where all contributions are given a fair chance: just as the individual components of a chair or seating solution will weighed and balanced to create in a harmonious seating system.

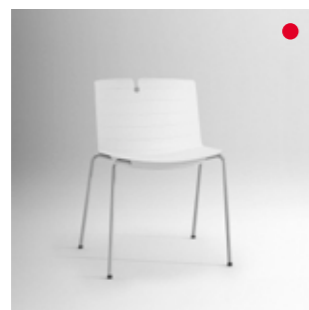
However, Brado Factory is much more than a technical lab: it's a philosophy. It's the beating heart of operations, a research center of materials and advanced solutions, and a catalyst of seating concepts of the future. Brado Factory also ensures flawless customer interaction with regards to the personalization process by establishing a continuous, back-and-forth flow of ideas in order to arrive the final result. In this case, Brado Factory will provide the specific resources requested by the client, which may vary from technical capabilities (should the client already have its own designer) or involve creative, technical and production departments.

Adapting and reacting to client's needs, Brado Factory establishes real partnerships, as dozens of customers from all over the world will testify. We are happy to talk to you about it more in detail. Whenever is best for you.

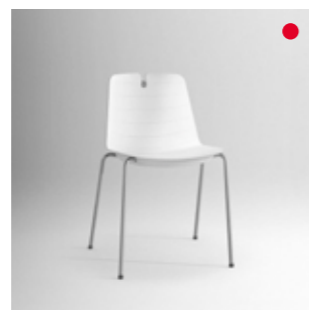


THE COLOURS

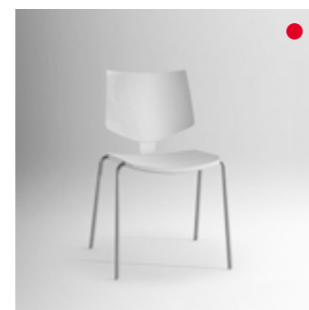




MORK p.20



MINDY p.32



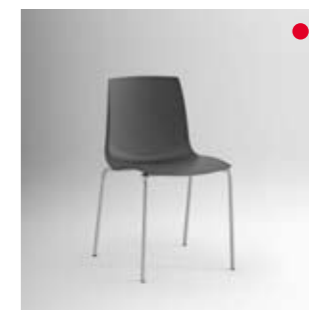
LOOLA p.44



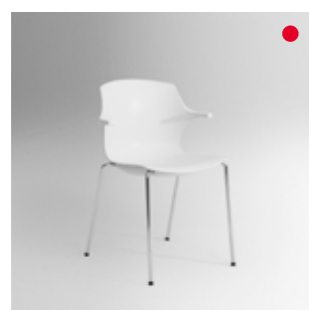
KENTRA WOOD p.138



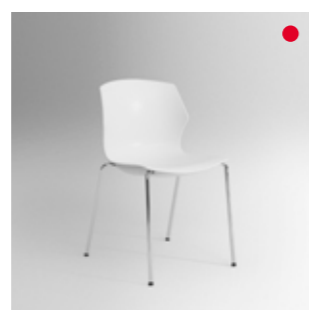
TRIBECA p.140



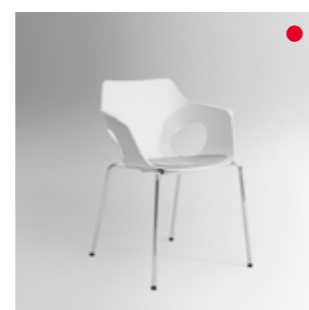
ARI p.150



FRILL p.50



NO-FRILL p.60



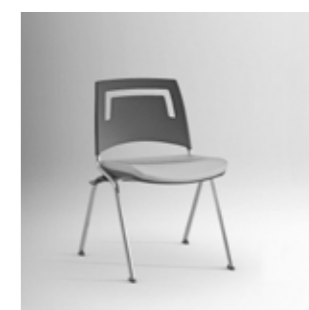
OLÉ p.70



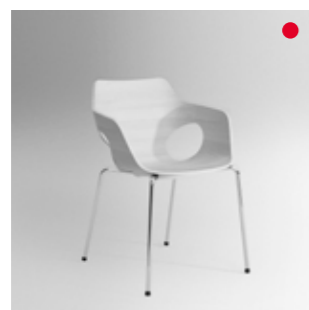
SMILE p.158



FRAME p.164



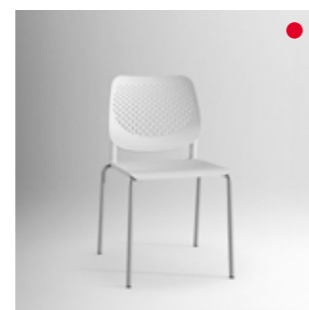
FLY p.170



OLÉ WOOD p.80



MARIQUITA p.88



ONE-SHOT p.100



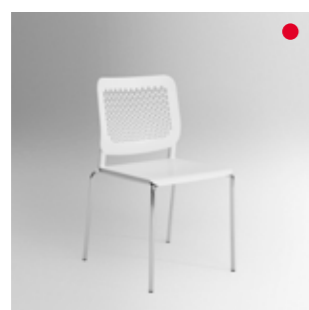
FLY NET p.176



NEST p.178



MR. JONES p.188



MALIKA p.108



FRESH p.118



KENTRA p.128

● **Prodotto anti-UV / Anti-UV product**

I prodotti destinati all'uso esterno subiscono nel tempo l'azione degli agenti atmosferici. Eventuali alterazioni superficiali possono verificarsi a specifiche condizioni di esposizione di temperatura, umidità e salinità. Una corretta e frequente manutenzione e pulizia aumentano la durabilità del prodotto. Il prodotto, se è esposto alla luce del sole, può essere soggetto a variazioni di colore. Brado si riserva la facoltà di apportare modifiche o migliorie senza alcun preavviso.

The product could undergo possible exterior changes due to particular exposure to heat, humidity and saltiness. An appropriate and frequent maintenance and cleaning of the product enhances its durability. The product could change colour and shade, if exposed to direct sunlight. Maintenance has to be carried out by experienced staff. Brado reserves the right to modify or upgrade the product without prior notice.

COLOPHON

BradoContract is the high-end division of Brado SPA.
Brado SPA has been the leader
in the component sector of the professional seating
and contract industry for the past 40 years.

Headquarters: via Cal di Mezzo, 3

Warehouse: via Europa, 98

Valdobbiadene (Treviso), Italia

tel +39 0423 9765 - fax +39 0423 976527

info@bradocontract.it

www.bradocontract.it

design & art direction

Helvetika

elaborazioni immagini / images elaboration

DotCode